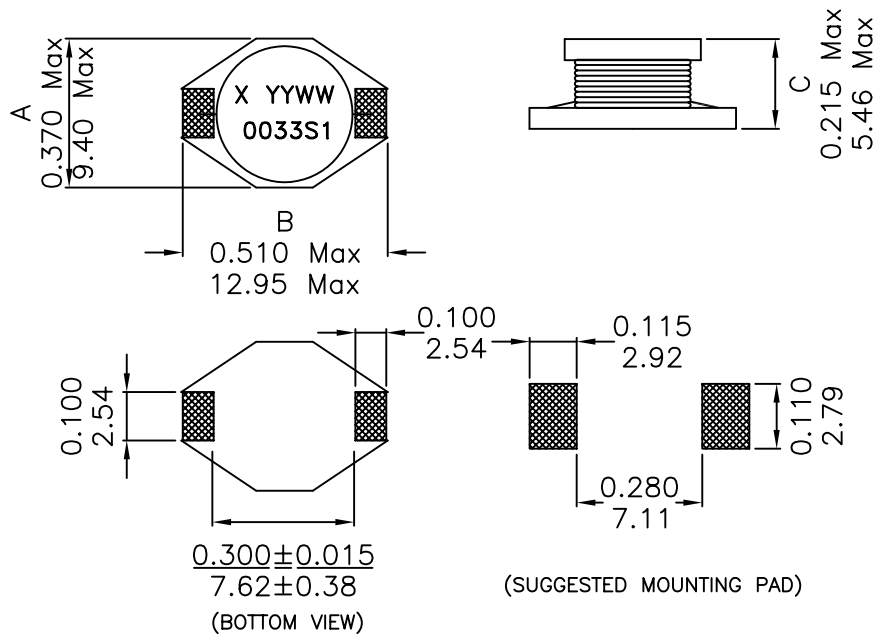
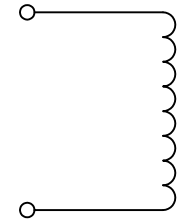


1. Mechanical Dimensions:



2. Schematic:



3. Electrical Specifications: @25°C

INDUCTANCE: 3.0mH ±20% @1.0KHz 0.1V

IDC: 0.20A (10% DROP MAX IN INDUCTANCE)

DC RESISTANCE: 8.5 Ohms Max

Note:

1. Solderability: Leads shall meet MIL-STD-202, Method 208D for solderability.
2. Flammability: UL94V-0,
3. ASTM oxygen index: > 28% ,
4. Temperature rating: 155°C. UL file E151556,
5. Operating Temperature Range: -40°C to +85°C

DOC. REV. A/1

XFMRs Inc.	Title: XFSMD1 SERIES INDUCTORS		
	UNLESS OTHERWISE SPECIFIED TOLERANCES: .xxx ±0.010 INCH Dimensions in INCH/MM	P/N: XF0033S1	REV. A
SHEET 1 OF 2	DWN.	刘 鹏	Mar-26-04
	CHK.	李小锋	Mar-26-04
	APP.	BW	Mar-26-04