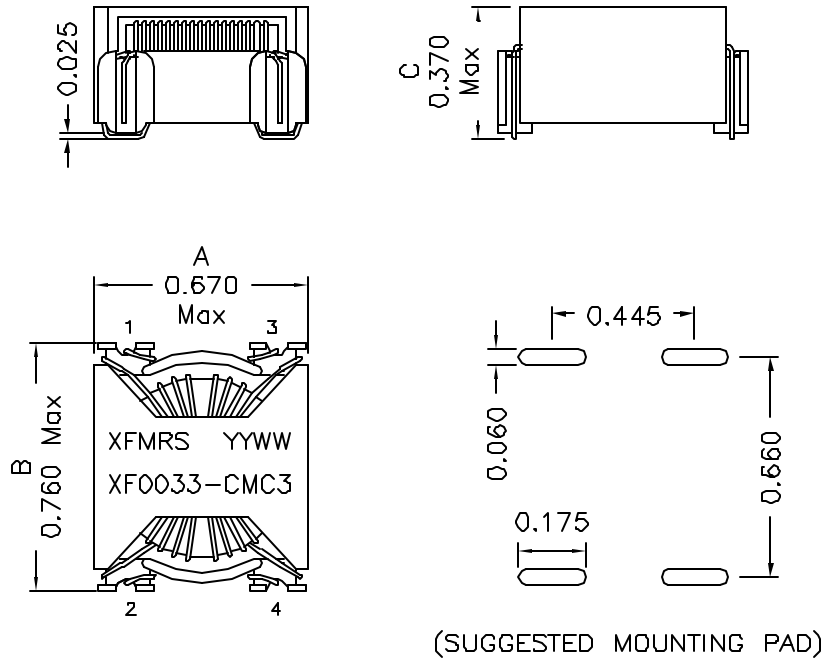
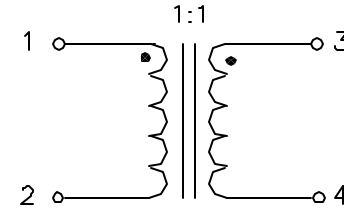


### 1. Mechanical Dimensions:



### 2. Schematic:



### 3. Electrical Specification: @25°C

Turns Ratio: 1:1

OCL: Pins 1-2 3.0mH±35% @10KHz 1.0V, Each Wdg

Q: Pins 1-2 2 Min @10KHz 1.0V

DCR: Pins 1-2 0.080 Ohms Max, Each Wdg

Rated Current (For 55c Rise): 2.5 A

Isolation: 2150Vdc for 1 Second, Wdg-Wdg

#### Notes:

1. Solderability: Leads shall meet MIL-STD-202G, Method 208H for solderability.
2. Flammability: UL94V-0
3. ASTM oxygen Index: > 28%
4. Insulation System: Class F 155°C. UL file E151556
5. Operating Temperature Range: All listed parameters are to be within tolerance from -40°C to +120°C
6. Storage Temperature Range: -55°C to +125°C
7. Aqueous wash compatible
8. SMD Lead Coplanarity: ±0.004°(0.102mm)
9. Electrical and mechanical specifications 100% tested
10. RoHS Compliant Component

DOC. REV: A/3

<b>XFMRS Inc.</b> www.XFMRS.com	Title: Common Mode Choke		
	P/N: XFO033-CMC3	REV. A	
UNLESS OTHERWISE SPECIFIED TOLERANCES: .xxx ±0.010 INCH Dimensions in INCH	DWN.	Feng	Nov-08-11
	CHK.	YK Liao	Nov-08-11
SHEET 1 OF 1	APP.	Joe Huff	Nov-08-11