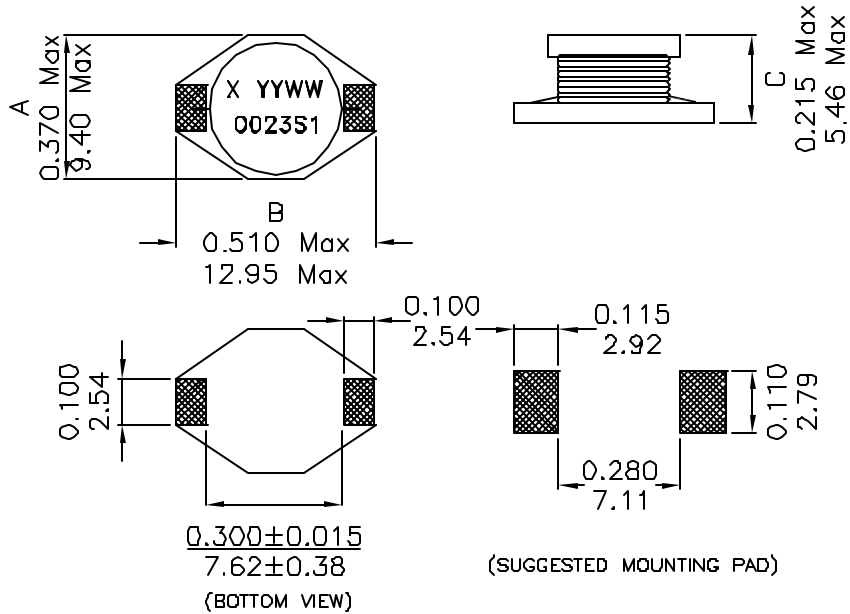
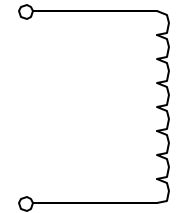


### 1. Mechanical Dimensions:



### 2. Schematic:



### 3. Electrical Specifications: @25°C

INDUCTANCE: 2.0mH ± 20% @100KHz 0.1V  
 Q: 15 Min @100KHz 0.1V  
 Isat: 0.250Adc (Inductance drops by 10% Max)  
 Irms: 0.275A (40°C rise typical)  
 SRF: 1.0MHz Min  
 DC Res: 5.50 Ohms Max

**Notes:**

1. Solderability: Leads shall meet MIL-STD-202G, Method 208H for solderability.
2. Flammability: UL94V-0
3. ASTM oxygen Index: > 28%
4. Insulation System: Class F 155°C. UL file E151556
5. Operating Temperature Range: All listed parameters are to be within tolerance from -40°C to +85°C
6. Storage Temperature Range: -55°C to +125°C
7. Aqueous wash compatible
8. SMD Lead Coplanarity: ±0.004"(0.102mm)
9. Electrical and mechanical specifications 100% tested
10. RoHS Compliant Component
11. 260°C Reflow Compatible

DOC. REV. A/1

**PROPRIETARY** Document is the property of XFMR5 Group & is not allowed to be duplicated without authorization.

<b>XFMR5 Inc.</b> www.XFMR5.com		Title: XF5MD1 SERIES INDUCTORS	
UNLESS OTHERWISE SPECIFIED TOLERANCES: .xxx ±0.010 INCH Dimensions in INCH/MM		P/N: XF0023S1      REV. B	
		DWN.	Mei Chen      May-06-10
SHEET 1 OF 1		CHK.	YK Liao      May-06-10
		APP.	Joe Huff      May-06-10