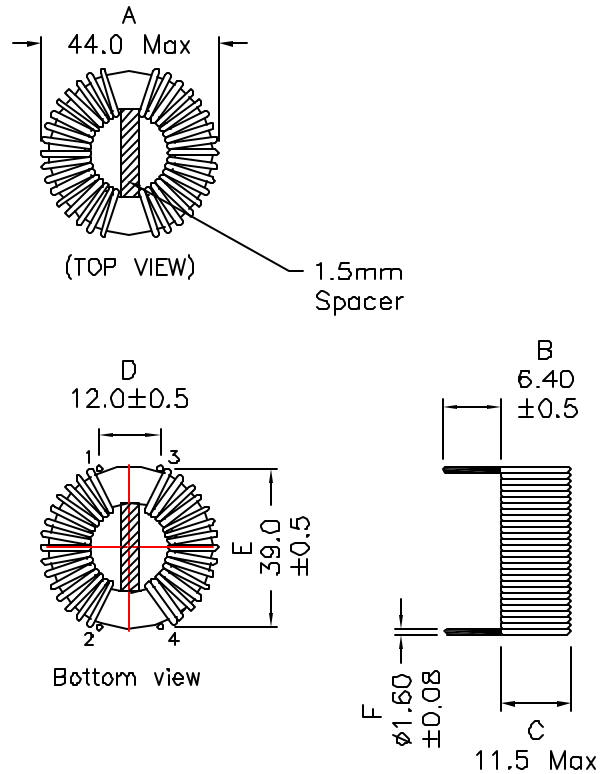


1. Mechanical Dimensions:

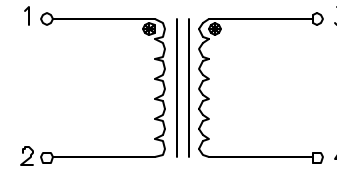


Notes:

- Solderability: Leads shall meet MIL-STD-202G, Method 208H for solderability.
- Flammability: UL94V-0
- ASTM oxygen index: > 28%
- Insulation System: Class F 155°C. UL file E151556
- Operating Temp Range: All listed parameters are to be within tolerance from -40°C to +85°C
- Storage Temperature Range: -55°C to +125°C
- Aqueous wash compatible
- Electrical and mechanical specifications 100% tested
- RoHS Compliant Component
- Estimated temp rise is 60C in a 25C ambient.

DOC REV: A/2

2. Schematic:



3. Electrical Specifications: @25°C

OCL: 1.98mH±35% @10KHz 0.1V, Each Wdg

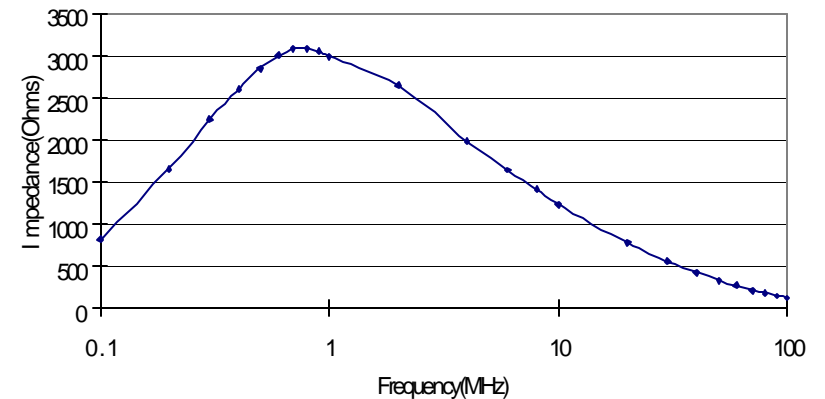
Q: 25 Min @10KHz 0.1V, Each Wdg

LL: Pins 1-2 20uH Max @10KHz 0.1V Short Pins 3+4

DCR: 6.0 mOhms Max, Each Wdg

CURRENT RATING: 20Arms

Hi-pot: 1500Vac for 2 Sec Wdg to Wdg



PROPRIETARY Document is the property of XFMRs Group & is not allowed to be duplicated without authorization.

XFMRs Inc. www.XFMRs.com	Title: COMMON MODE CHOKE		
	UNLESS OTHERWISE SPECIFIED TOLERANCES: .xx ±0.25 Dimensions in MM	P/N: XF0023A-HOCMC	REV. A
SHEET 1 OF 1	DWN.	Mei Chen	Sep-09-10
	CHK.	YK Liao	Sep-09-10
	APP.	Joe Huff	Sep-09-10