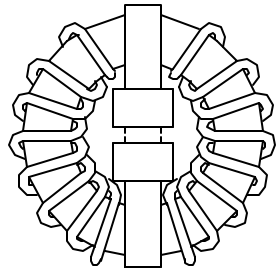
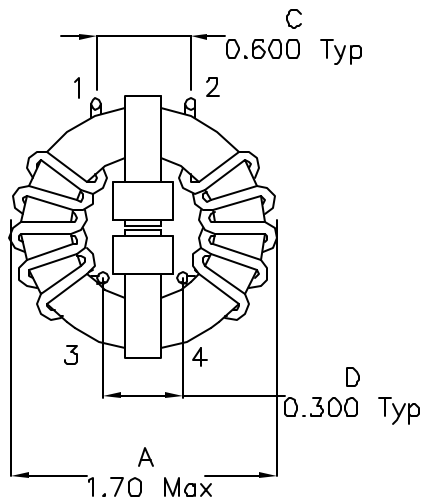
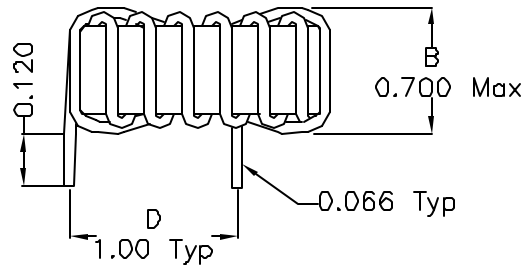


1. Mechanical Dimensions:



Top View



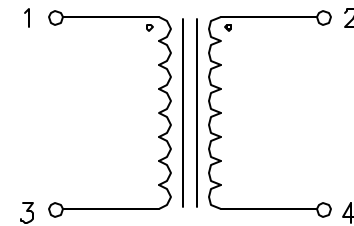
Bottom View

Notes:

1. Solderability: Leads shall meet MIL-STD-202G, Method 206H for solderability.
2. Flammability: UL94V-0
3. ASTM oxygen index: > 28%
4. Insulation System: Class F 155°C. UL File E151556
5. All listed parameters are to be within tolerance from -40°C to +85°C unless otherwise noted.
6. Storage Temperature Range: -55°C to +125°C
7. Aqueous wash compatible
8. Electrical and mechanical specifications 100% tested
9. RoHS Compliant Component

DOC. REV A/2

2. Schematic:



3. Electrical Specifications: @25°C

OCL: 2mH Typ @10KHz, 0.1V (each wdg)

0.70mH Min @10KHz, 0.1V (each wdg) 0°C to -40°C

2.0mH Typ @10KHz, 0.1V (each wdg) 0°C to +85°C

Q: 50 Min @10KHz, 0.1V (each wdg)

LL: Pins 1-3 24.0uH Typ 100KHz, 0.1V Short 2-4

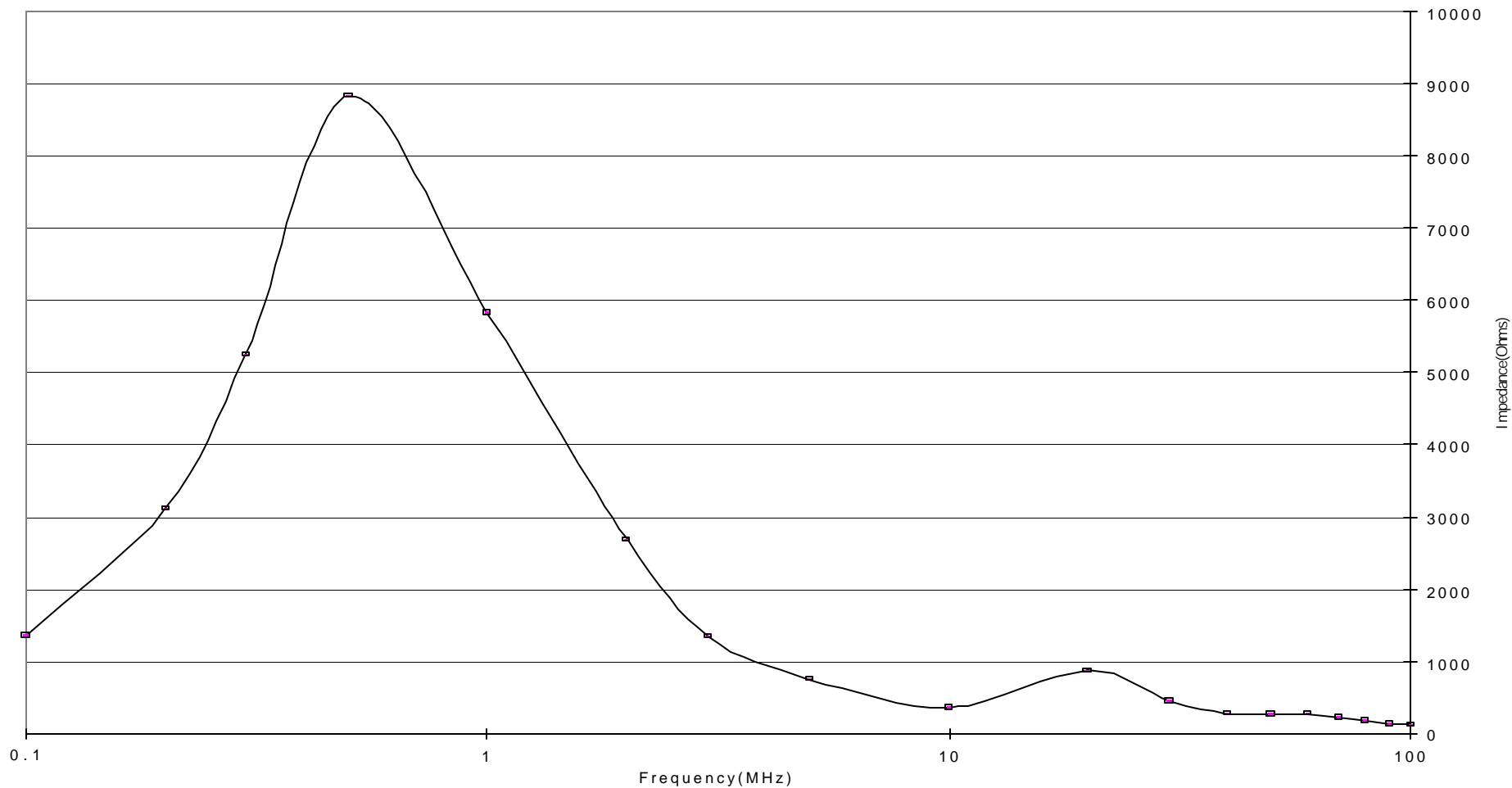
DCR: 0.008 Ohms Max (each wdg)

Rated Current: 18A_{dc} Balanced

Isolation: 1500Vac

PROPRIETARY Document is the property of XFMRs Group & is not allowed to be duplicated without authorization.

XFMRs Inc www.XFMRs.com	Title: Common Mode Choke		
	UNLESS OTHERWISE SPECIFIED TOLERANCES:	P/N: XF0023-HOCCMC	REV. A
.XXX±0.020	DWN.	Xianyi	Sep-02-09
Dimensions in INCH	CHK.	YK Liao	Sep-02-09
SHEET 1 OF 2	APP.	Joe Huff	Sep-02-09



DOC. REV A/2

PROPRIETARY

Document is the property of XFMRS Group & is not allowed to be duplicated without authorization.

XFMRS Inc www.XFMRS.com	Title: Common Mode Choke		
	UNLESS OTHERWISE SPECIFIED TOLERANCES: .XXX±0.020 Dimensions in INCH		P/N: XF0023-HOCCMC
SHEET 2 OF 2	DWN.	Xianyí	Sep-02-09
	CHK.	YK Liao	Sep-02-09
	APP.	Joe Huff	Sep-02-09