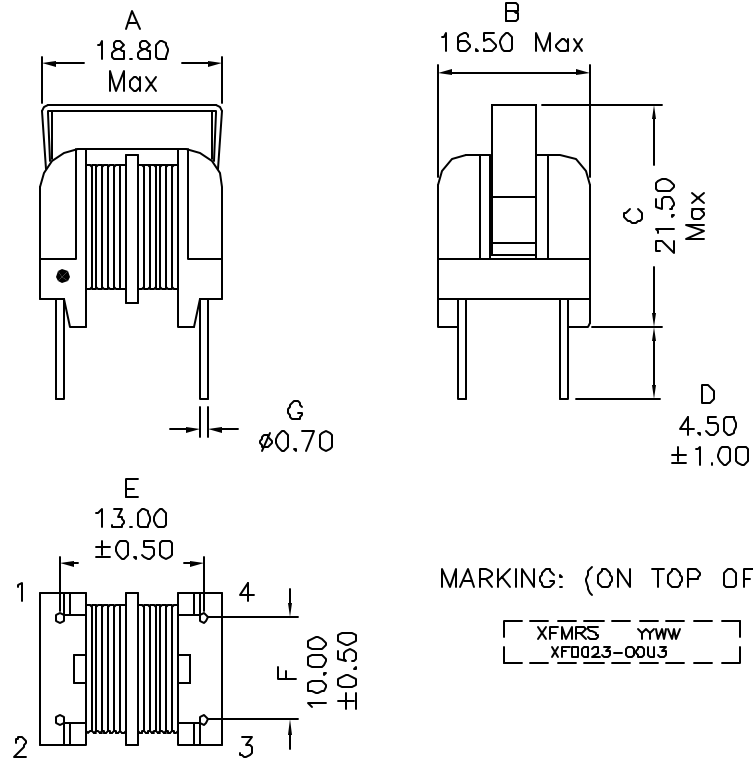
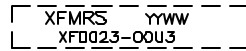


1. Dimensions:



MARKING: (ON TOP OF CLIP)

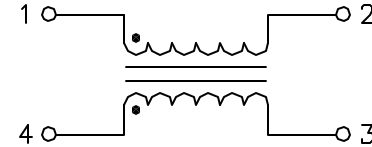


Notes:

1. Solderability: Leads shall meet MIL-STD-202G, Method 208H for solderability.
2. Flammability: UL94V-0
3. ASTM oxygen index: > 28%
4. Insulation System: Class F 155°C. UL file E151556
5. Operating Temperature Range: All listed parameters are to be within tolerance from -40°C to +85°C
6. Storage Temperature Range: -55°C to +125°C
7. Aqueous wash compatible
8. Electrical and mechanical specifications 100% tested
9. RoHS Compliant Component

DOC. REV. A/5

2. Schematic:



3. Electrical Specifications:

Inductance: 2.0mH Min @100KHz 0.1V Each Wdg.
 L1-L2 Inductance Difference: 50uH Max
 Insulation Resistance: 10 MOhms Min
 Rated Current: 1.50A Max
 HI-POT: 2000VAC Wdg-Wdg for 1 Second
 DCR: 0.200 Ohms Max Each Wdg.

PROPRIETARY

Document is the property of XFMRS Group & is not allowed to be duplicated without authorization.

XFMRS Inc	Title: LINE FILTER		
	UNLESS OTHERWISE SPECIFIED TOLERANCES:		REV. A
	.xx ±0.25	P/N: XF0023-00U3	Mar-19-04
	Dimensions in MM	DWN. Juan Mao	Mar-19-04
SHEET 1 OF 1	CHK. YK Liao	Mar-19-04	
	APP. Joe Huff	Mar-19-04	