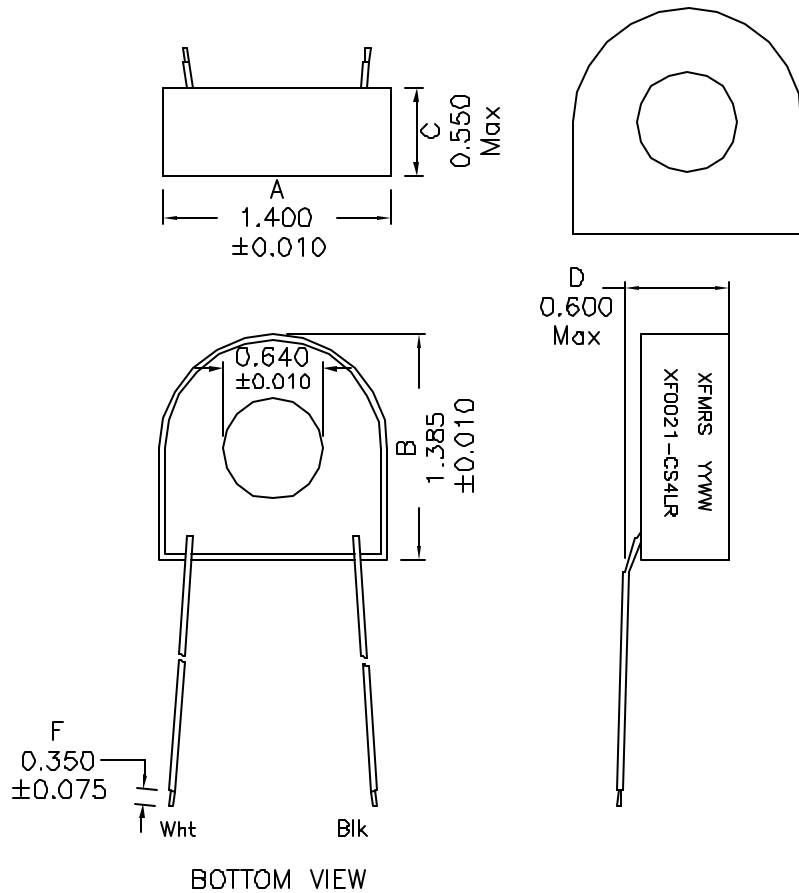


## 1. Mechanical Dimensions:

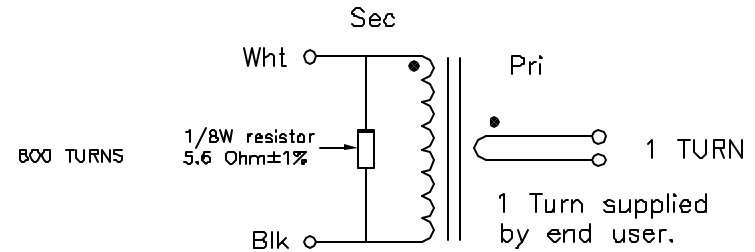


### Notes:

1. Solderability: Leads shall meet MIL-STD-202G, Method 208H for solderability.
2. Flammability: UL94V-0
3. ASTM oxygen index: > 28%
4. Insulation System: Class F 155°C. UL file E151556
5. Operating Temperature Range: All listed parameters are to be within tolerance from -40°C to +85°C
6. Storage Temperature Range: -55°C to +125°C
7. Aqueous wash compatible
8. Electrical and mechanical specifications 100% tested
9. RoHS Compliant Component

DOC. REV. A/2

## 2. Schematic:



## 3. Electrical Specifications: @25C

Turns Ratio: 1:800

DCR: Wht-Black 4.10 Ohms±15%

Output: 333mV/50Amp, no external resistor required

Pri: 1T supplied by customer.

Rated Current: 50A Max

Leads: 22 AWG 1/64 PVC Stranded

Lead Length: 6"±1"

**PROPRIETARY** Document is the property of XFMRs Group & is not allowed to be duplicated without authorization.

<b>XFMRs Inc</b> www.XFMRs.com	Title: Current Sense Xfmr		
UNLESS OTHERWISE SPECIFIED TOLERANCES: .xxx ±0.010 Dimensions in Inch	P/N: XF0021-CS4LR	REV. A	
	DWN.	Mei Chen	Aug-12-10
SHEET 1 OF 1	CHK.	YK Liao	Aug-12-10
	APP.	Joe Huff	Aug-12-10