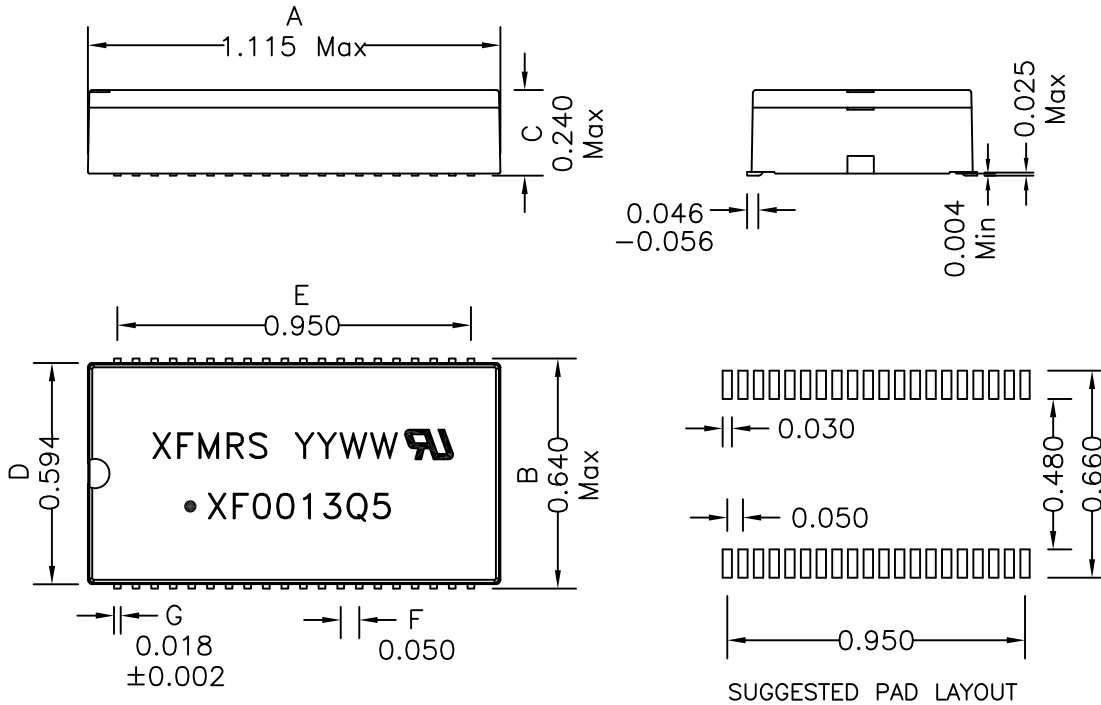


1. Mechanical Dimensions:



3. Electrical Specifications: @25°C

Isolation: 1500 Vrms (PRI to SEC)

TX Turns Ratio: 1:2CT ±3% (PRI:SEC)

RCV Turns Ratio: 1:1CT ±3% (PRI:SEC)

PRI OCL: 1.20mH Minimum @100KHz 100mV

Cw/w: 35pF Maximum @100KHz 100mV (PRI/SEC)

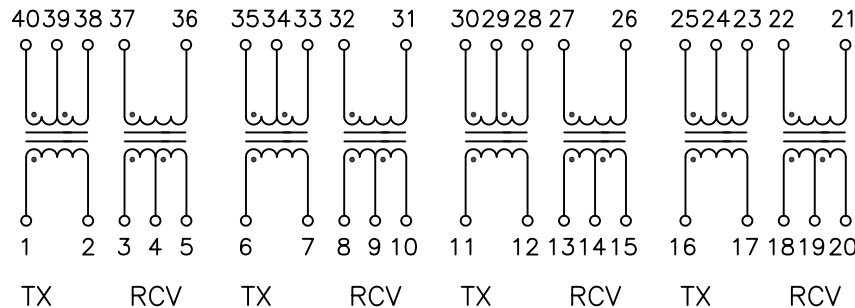
LL: 0.6uH Maximum @100KHz 100mV

PRI PINS: P1-2, P6-7, P11-12, P16-17

P21-22, P26-27, P31-32, P36-37

Q: 5 Min @10KHz 50mV

2. Schematic:



Notes:

1. Solderability: Leads shall meet MIL-STD-202G, Method 208H for solderability.
2. Flammability: UL94V-0
3. ASTM oxygen index: > 28%
4. Insulation System: Class F 155°C. UL file E151556
5. Operating Temperature Range: All listed parameters are to be within tolerance from -40°C to +85°C
6. Storage Temperature Range: -55°C to +125°C
7. Aqueous wash compatible
8. SMD Lead Coplanarity: ±0.004"(0.102mm)
9. Electrical and mechanical specifications 100% tested
10. RoHS Compliant Component

DOC. REV: C/2

XFMRS Inc www.XFMRS.com	Title: T1/E1/CEPT QUAD PORT		
	UNLESS OTHERWISE SPECIFIED TOLERANCES:		P/N: XF0013Q5
.xxx ±0.010	DWN.	Yuan	Mar-27-14
Dimensions in INCH	CHK.	YK Liao	Mar-27-14
SHEET 1 OF 1	APP.	DDC	Mar-27-14