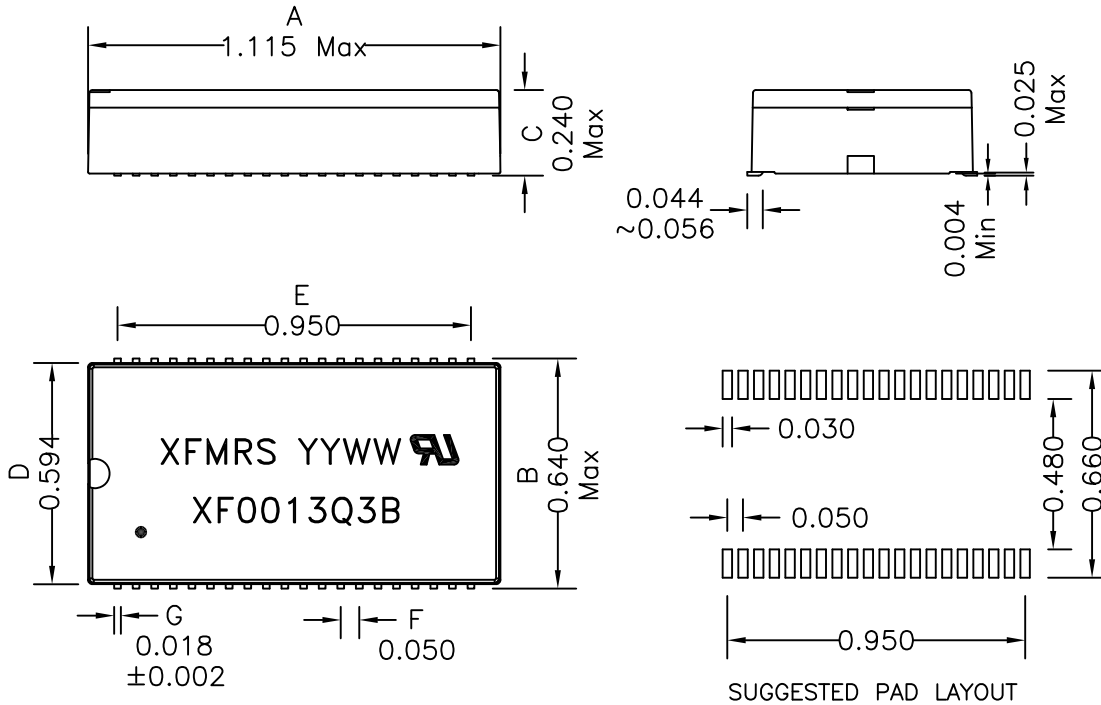


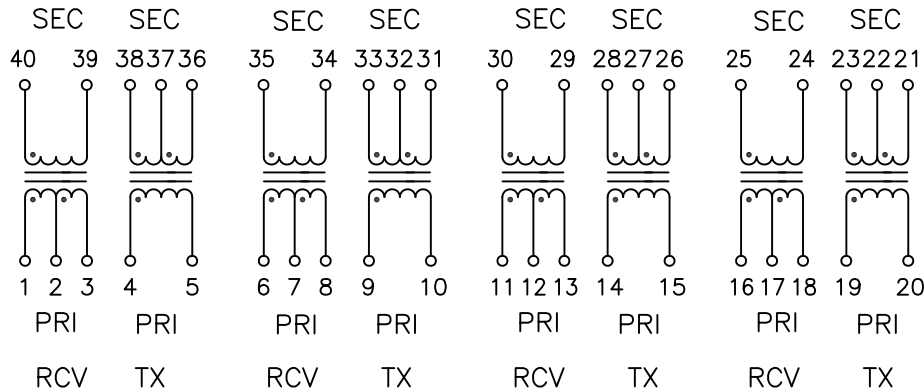
### 1. Mechanical Dimensions:



### 3. Electrical Specifications: @25°C

Isolation: 1500Vrms, PRI to SEC  
 TX TURNS RATIO: 1:2CT±2% (PRI:SEC)  
 RCV TURNS RATIO: 1CT:2±2% (PRI:SEC)  
 TX PRI OCL: 1.50mH Typ @100KHz 50mV  
 RCV PRI OCL: 1.50mH Typ @100KHz 50mV  
 CW/W: 35pF Max @100KHz 50mV, (PRI/SEC)  
 CROSSTALK: 60dB Typ @1MHz to 5MHz  
 PRI LL: 0.6uH Max @100KHz 50mV, Short SEC  
 PRI Q: 5 Min @10KHz 50mV

### 2. Schematic:



**Notes:**

1. Solderability: Leads shall meet MIL-STD-202G, Method 208H for solderability.
2. Flammability: UL94V-0
3. ASTM oxygen index: > 28%
4. Insulation System: Class H 180°C. UL file E151556
5. Operating Temperature Range: All listed parameters are to be within tolerance from -40°C to +85°C
6. Storage Temperature Range: -55°C to +125°C
7. Aqueous wash compatible
8. SMD Lead Coplanarity: ±0.004"(0.102mm)
9. Electrical and mechanical specifications 100% tested
10. RoHS Compliant Component
11. UL recognized component, file E165866.
12. Recommended IR Reflow peak temp of 245C Max.

DOC. REV: B/2

<b>XFMRs Inc</b> www.XFMRs.com	Title: <b>T1/E1/CEPT QUAD PORT</b>		
	UNLESS OTHERWISE SPECIFIED TOLERANCES: .xxx ±0.010 Dimensions in INCH		P/N: XF0013Q3B REV. B
SHEET 1 OF 1	DWN.	Yuan	Apr-12-13
	CHK.	YK Liao	Apr-12-13
	APP.	BSJ	Apr-12-13