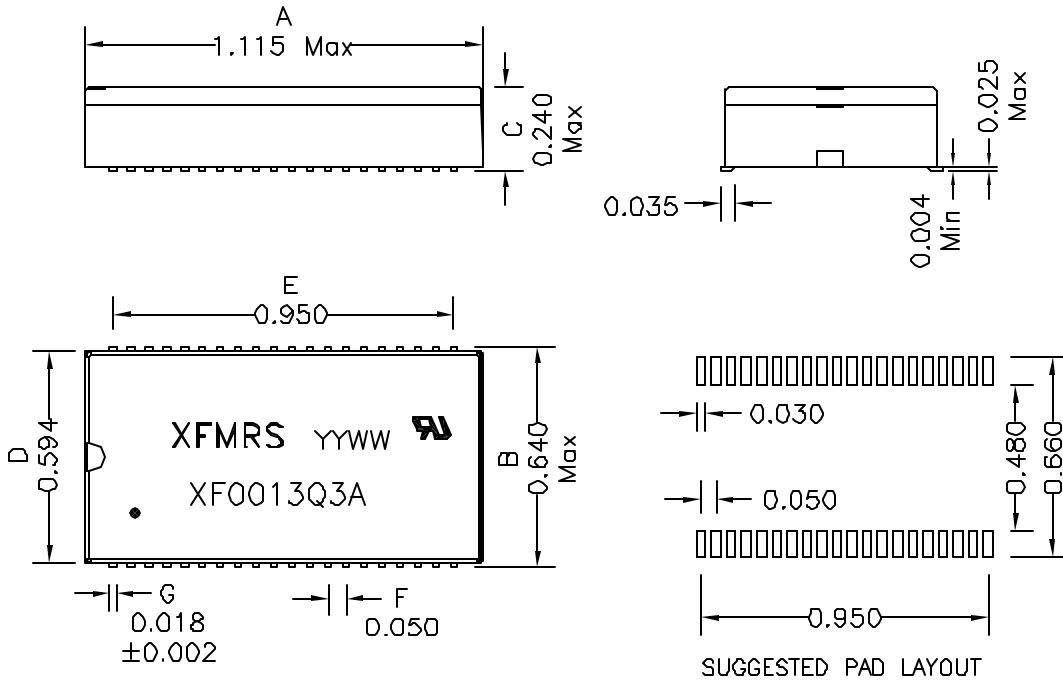
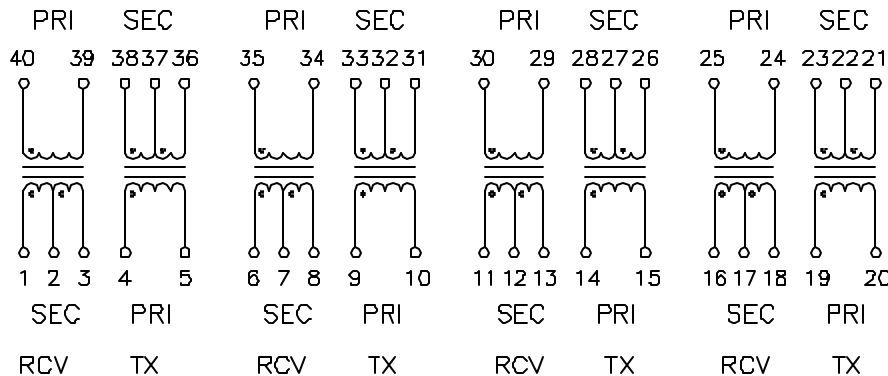


1. Mechanical Dimensions:



2. Schematic:



DOC. REV: B/1

3. Electrical Specifications: @25°C

- Isolation: 1500Vrms (PRI to SEC)
- TX Turns Ratio: 1:2CT ±2% (PRI:SEC)
- RCV Turns Ratio: 1:2CT ±2% (PRI:SEC)
- TX PRI OCL: 1.20mH Minimum @100KHz 50mV
- RCV PRI OCL: 1.20mH Minimum @100KHz 50mV
- Pri Q: 5 Minimum @10KHz 50mV
- Cw/w: 35pF Maximum @100KHz 50mV (PRI/SEC)
- CROSSTALK: 65 dB Typ
- TX PRI LL: 0.6uH Maximum @100KHz 50mV (SEC Shorted)
- RCV PRI LL: 0.6uH Maximum @100KHz 50mV (SEC Shorted)

Notes:

1. Solderability: Leads shall meet MIL-STD-202G, Method 208H for solderability.
2. Flammability: UL94V-0
3. ASTM oxygen index: > 28%
4. UL Recognized Component, file #E165866, category WYQQ2.
5. Operating Temperature Range: All listed parameters are to be within tolerance from -40°C to +85°C
6. Storage Temperature Range: -55°C to +125°C
7. Aqueous wash compatible
8. SMD Lead Coplanarity: ±0.004"(0.102mm)
9. Electrical and mechanical specifications 100% tested
10. RoHS Compliant Component

XFMRS Inc www.XFMRS.com		Title: T1/E1/CEPT QUAD PORT	
UNLESS OTHERWISE SPECIFIED		P/N: XF0013Q3A	REV. B
TOLERANCES: .xxx ±0.010		DWN. Feng	Aug-16-11
Dimensions in INCH		CHK. YK Liao	Aug-16-11
SHT 1 OF 1		APP. Joe Huff	Aug-16-11