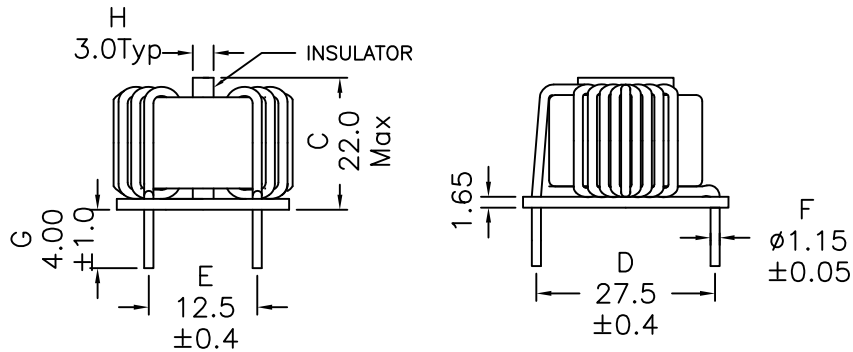
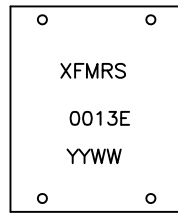
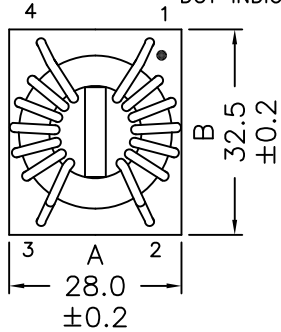


1. Mechanical Dimensions:



DOT INDICATE PIN1

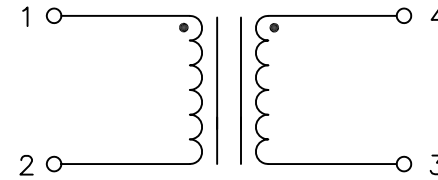


(BOTTOM VIEW)

Notes:

1. Solderability: Leads shall meet MIL-STD-202G, Method 208H for solderability.
2. Flammability: UL94V-0
3. ASTM oxygen index: > 28%
4. Insulation System: Class F 155°C. UL file E151556
5. Operating Temperature Range: All listed parameters are to be within tolerance from -40°C to +125°C
6. Storage Temperature Range: -20°C to +60°C
7. Aqueous wash compatible
8. Electrical and mechanical specifications 100% tested
9. RoHS Compliant Component

2. Schematic:



3. Electrical Specifications:

Inductance: 1.0mH±30% @10KHz, 0.1V (each)

0.2 mH Min @10KHz, 0.1V (each) from -40C to 0C

2.5 mH Max @10KHz, 0.1V (each) from 85C to 125C

Q: 30 Min @10KHz, 0.1V (each)

Leakage L: Pins 1-2 9.0 uH Max @100KHz, 0.1V (Short 4-3)

DC Res: 0.0125 Ohms Max (each)

Rated Voltage: 250Vac 50/60Hz

SRF: Pins 1-2 600 KHz Min

Rated Current: 10.0Arms

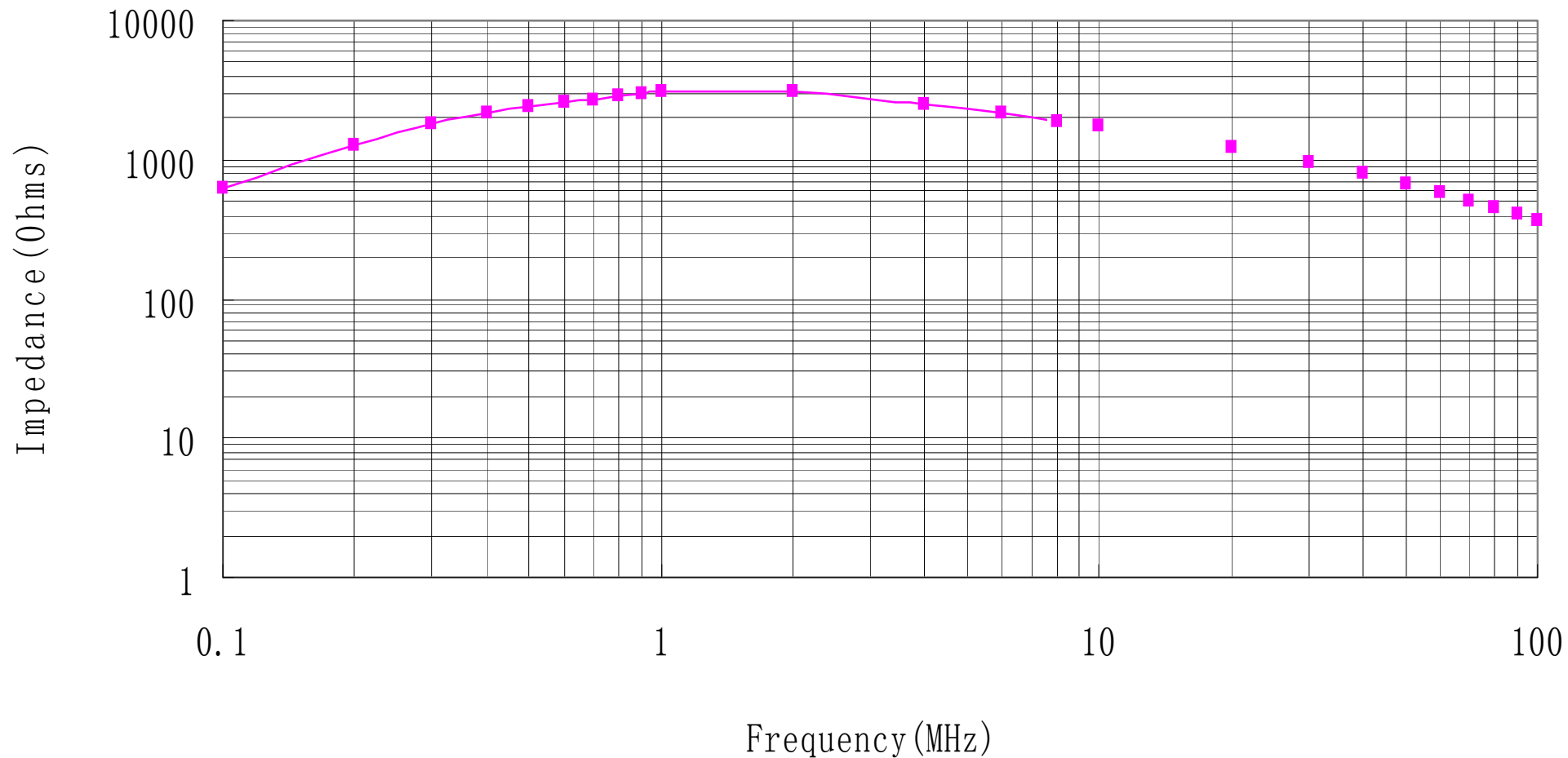
Isolation: 1500Vrms Wdg-Wdg for 2 seconds

DOC. REV. A/2

XFMRs Inc www.XFMRS.com		Title: 10 AMP COMMON MODE CHOKE	
UNLESS OTHERWISE SPECIFIED TOLERANCES: .xx ±0.25 Dimensions in MM		P/N: XF0013E-HMCMC	REV. A
		DWN. Yuan	Dec-18-15
SHEET 1 OF 2		CHK. YK Liao	Dec-18-15
		APP. BSJ	Dec-18-15

PROPRIETARY

Document is the property of XFMRs Group & is not allowed to be duplicated without authorization.



DOC. REV. A/2

XFMRs Inc www.XFMRS.com	Title: 10 AMP COMMON MODE CHOKE		
	UNLESS OTHERWISE SPECIFIED TOLERANCES: .xx ±0.25		P/N: XF0013E-HMCMC
Dimensions in MM	DWN.	Yuan	Dec-18-15
SHEET 2 OF 2	CHK.	YK Liao	Dec-18-15
	APP.	BSJ	Dec-18-15

PROPRIETARY

Document is the property of XFMRs Group & is not allowed to be duplicated without authorization.