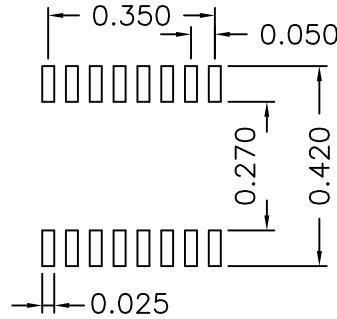
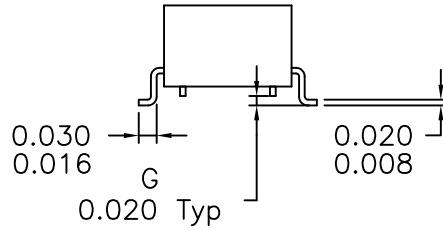
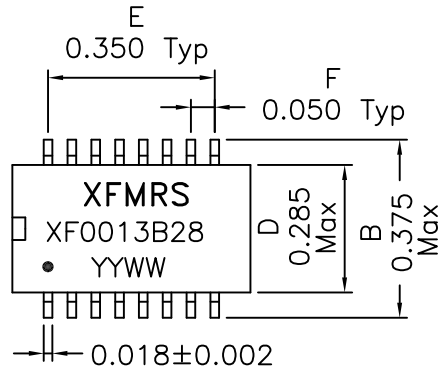
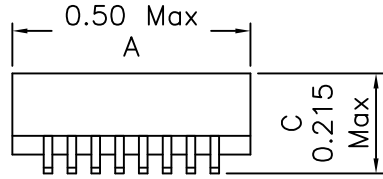
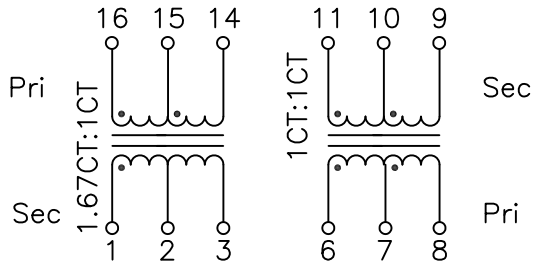


1. Dimensions:



SUGGESTED FOOTPRINT

2. Schematic:



Notes:

1. Solderability: Leads shall meet MIL-STD-202, Method 208D for solderability.
2. Flammability: UL94V-0
3. ASTM oxygen index: > 28%
4. Insulation System: Class F 155°C. UL file E151556
5. Operating Temperature Range: -40°C to +85°C
6. Storage Temperature Range: -55°C to +125°C
7. Aqueous wash compatible

DOC. REV: A/2

3. Electrical Specifications:@25°C

ISOLATION VOLTAGE: 1500 VAC

TURNS RATIO: (1-2-3):(16-15-14)=1.67CT:1CT±2%

TURNS RATIO: (6-7-8):(11-10-9)=1CT:1CT ±2%

SEC OCL: Pins 1-3 1.0mH Min @10KHz 100mV @25°C

SEC OCL: Pins 11-9 1.0mH Min @10KHz 100mV @25°C

SEC OCL: Pins 1-3 600uH Min @10KHz 100mV @-40°C

SEC OCL: Pins 11-9 600uH Min @10KHz 100mV @-40°C

CW/W: 25pF Max @10KHz 100mV (Pri/Sec)

LL: Pins 16-14 0.8uH Max @100KHz 100mV

Short P(14&16)

LL: Pins 6-8 0.8uH Max @100KHz 100mV

Short P(6&8)

DC Res.: 0.80 Ohms Max (each wdg)

LONGITUDINAL BALANCE: 35dB Typ @1.544 MHz

Return Loss: 50-100KHz 100KHz-2MHz 2-3MHz

Tx 9dB Min 15dB Min 11dB Min

Rx 12dB Min 18dB Min 14dB Min

Crosstalk Atten.: 50dB Min 100KHz-10MHz

CMRR: 50dB Min @1MHz

XFMRs Inc	Title: SMD T1/E1 ISOLATION MODULE		
	UNLESS OTHERWISE SPECIFIED TOLERANCES: .xxx ±0.010 Dimensions in Inch	P/N: XF0013B28	REV. A
		DWN. 李清儿	May-25-01
		CHK. 孙悦	May-25-01
	APP. Joe Huff	May-25-01	