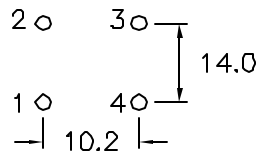
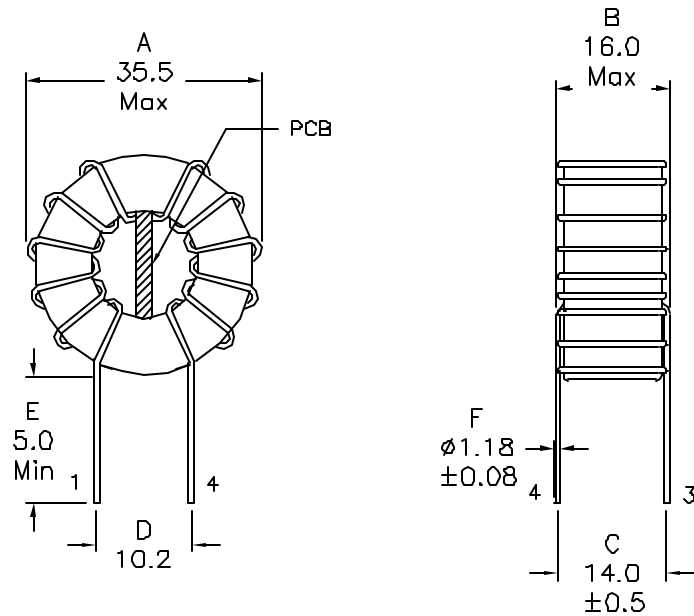
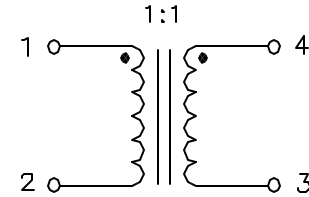


1. Mechanical Dimensions:



PCB Layout

2. Schematic:



3. Electrical Specifications:

OCL: 1.0mH±30% @10KHz 0.1V, Each Wdg (0°C to +85°C)
 0.28mH Min @10KHz 0.1V, Each Wdg (-40°C to 0°C)

Q: Pins 1-2 20 Min @10KHz 0.1V

DCR: 10 mOhms Max, Each Wdg

CURRENT RATING: 14A Max

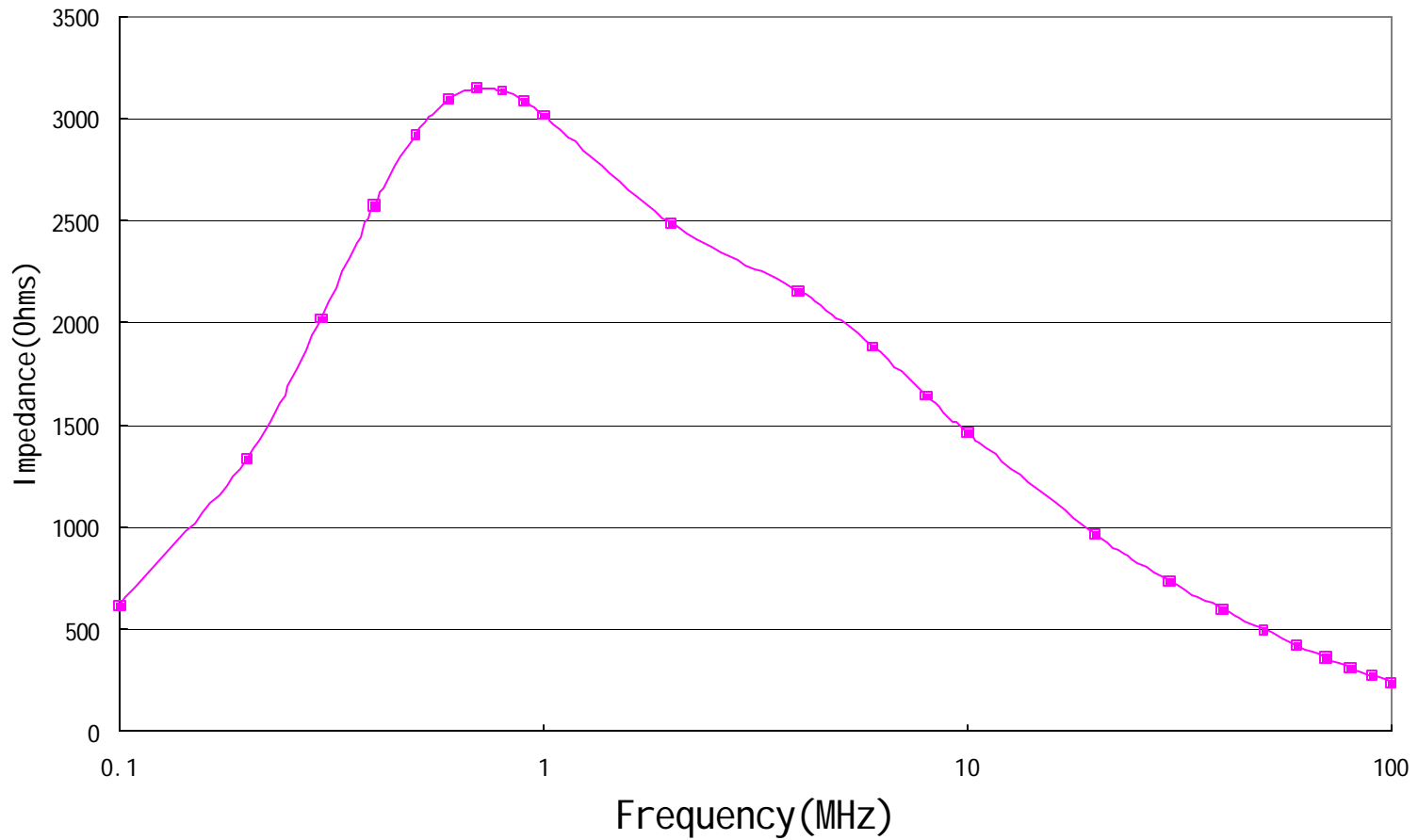
Isolation: 1500Vrms Wdg TO Wdg

Notes:

1. Solderability: Leads shall meet MIL-STD-202G, Method 208H for solderability.
2. Flammability: UL94V-0
3. ASTM oxygen Index: > 28%
4. Insulation System: Class F 155°C. UL file E151556
5. All listed parameters are to be within tolerance from -40°C to +85°C unless otherwise noted
6. Storage Temperature Range: -55°C to +125°C
7. Aqueous wash compatible
8. Electrical and mechanical specifications 100% tested
9. RoHS Compliant Component

DOC REV: A/2

XFMRs Inc www.XFMRS.com	Title: Common Mode Choke		
	P/N: XF0013B-VQCMC	REV. A	
UNLESS OTHERWISE SPECIFIED TOLERANCES: .xx ±0.25 Dimensions in MM	DWN.	Feng	Jan-13-11
	CHK.	YK Liao	Jan-13-11
SHEET 1 OF 2	APP.	Joe Huff	Jan-13-11



DOC REV: A/2

XFMRs Inc www.XFMRS.com	Title: Common Mode Choke			
	UNLESS OTHERWISE SPECIFIED TOLERANCES: .xx ±0.25 Dimensions in MM	P/N: XF0013B-VQCMC	REV. A	
	DWN.	Feng	Jan-13-11	
	CHK.	YK Liao	Jan-13-11	
SHEET 2 OF 2	APP.	Joe Huff	Jan-13-11	

PROPRIETARY Document is the property of XFMRs Group & is not allowed to be duplicated without authorization.