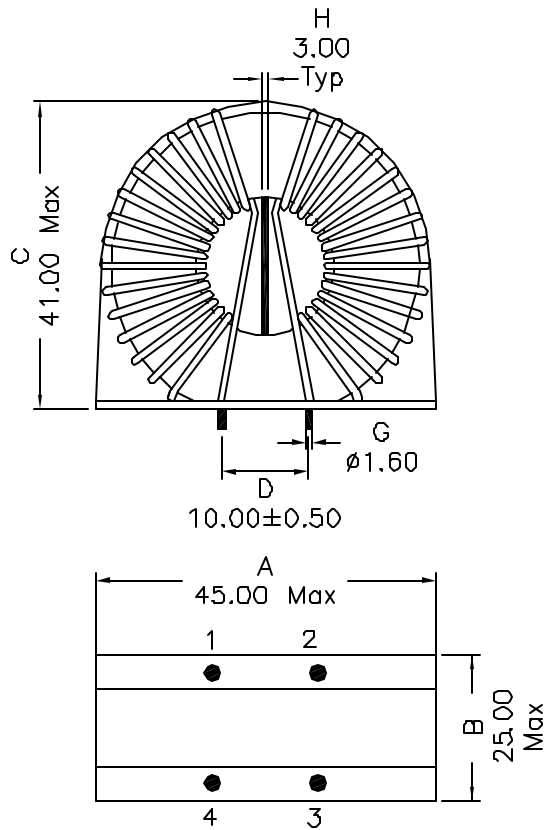


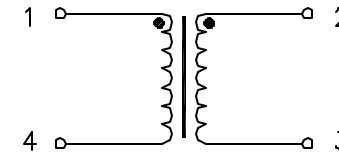
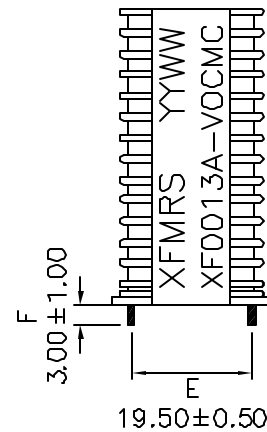
1. Mechanical Dimensions:



Notes:

1. Solderability: Leads shall meet MIL-STD-202, Method 208D for solderability.
2. Flammability: UL94V-0
3. ASTM oxygen index: > 28%
4. Insulation System: Class F 155°C. UL file E161566
5. Operating Temperature Range: All listed parameters are to be within tolerance from -40°C to +85°C
6. Storage Temperature Range: -55°C to +125°C
7. Aqueous wash compatible
8. SMD Lead Coplanarity: $\pm 0.004"$ (0.102mm)
9. Moisture Sensitivity: Level 2
10. Electrical and mechanical specifications 100% tested
11. RoHS Compliant Component

2. Schematic:



3. Electrical Specifications: @25°C

Inductance: 1mH Min @10KHz 0.1V, Each Wdg

Q: Pins 1-4 8 Min @10KHz 0.1V

Rated Current: 35Adc

DC Resistance: 0.006 Ohms Max, Each Wdg

HIPOT: 2500Vac, Wdg to Wdg

DOC REV: A/3

PROPRIETARY Document is the property of XFMRS Group & is not allowed to be duplicated without authorization.

XFMRS Inc www.XFMRS.com		Title: COMMON CODE CHOKE	
UNLESS OTHERWISE SPECIFIED TOLERANCES: .xx ±0.25 Dimensions in mm	P/N: XF0013A-VOCMC		REV. A
	DWN.	Feng	Apr-19-11
	CHK.	YK Liao	Apr-19-11
SHEET 1 OF 1	APP.	Joe Huff	Apr-19-11