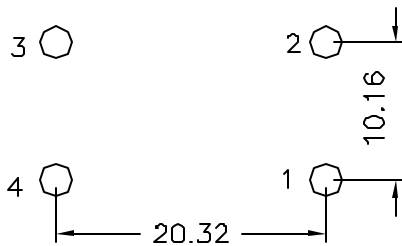
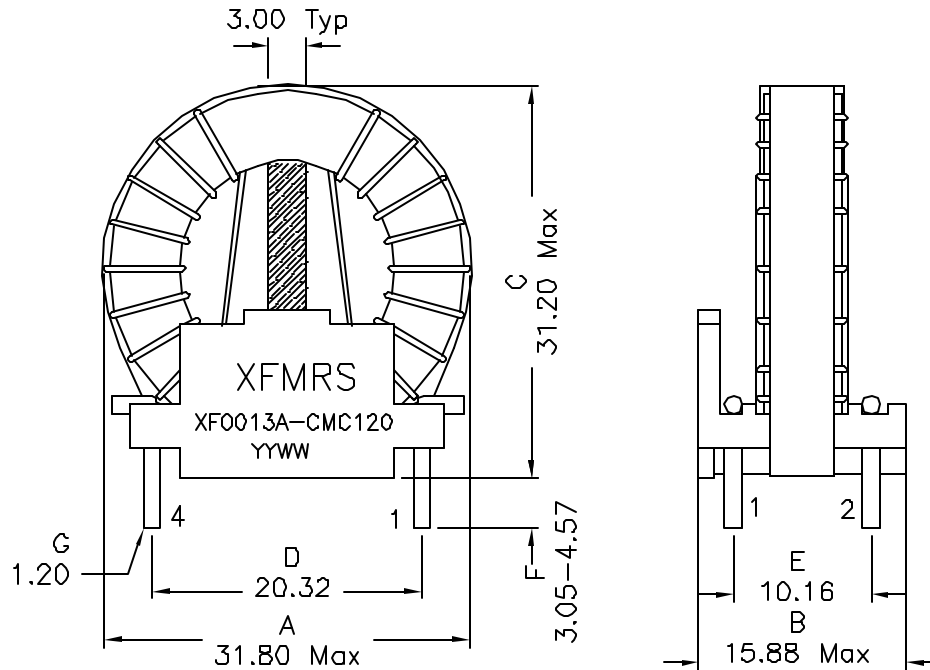
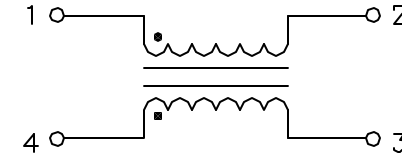


1. Mechanical Dimensions:



(SUGGESTED FOOTPRINT)

2. Schematic:



3. Electrical Specifications: @25°C

- OCL: 1.0mH Min. @15.75KHz 0.1V, Each Wdg
0.4mH Min @15.75KHz 0.1V -40°C
- Q: 10 Min. @15.75KHz 0.1V
- LL: 19uH Max. @100KHz, 0.1V
- Current Rating: 6.0 Arms
- DCR: 0.022 Ohms Max, Each Wdg
- ISOLATION: 1250Vrms

Notes:

1. Solderability: Leads shall meet MIL-STD-2026, Method 208H for solderability.
2. Flammability: UL94V-0
3. ASTM oxygen Index: > 28%
4. Insulation System: Class F 155°C. UL file E151556
5. All listed parameters are to be within tolerance unless otherwise from -40°C to +85°C
6. Storage Temperature Range: -55°C to +125°C
7. Aqueous wash compatible
8. Electrical and mechanical specifications 100% tested
9. RoHS Compliant Component

DOC REV: A/4

XFMRS Inc www.XFMRS.com	Title: Common Mode Choke		
	UNLESS OTHERWISE SPECIFIED TOLERANCES: .xx ±0.20 Dimensions in mm	P/N: XFO013A-CMC120	REV. A
SHEET 1 OF 1	DWN.	Xianyí	Nov-25-08
	CHK.	YK Liao	Nov-25-08
	APP.	Joe Huff	Nov-25-08