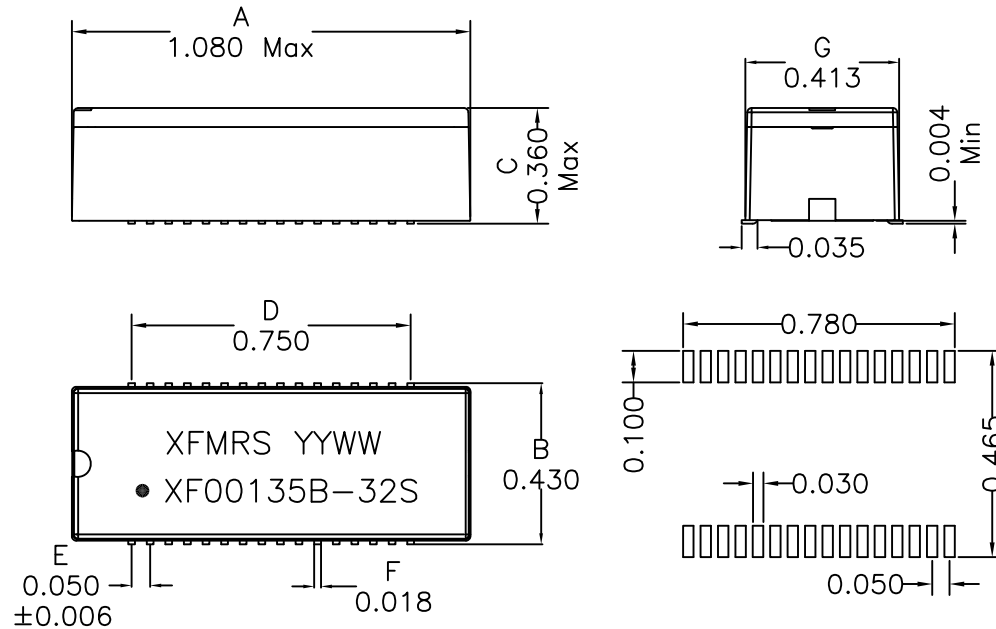
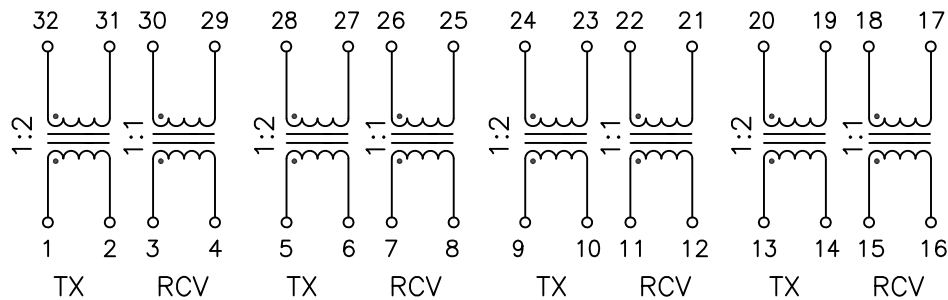


1. Mechanical Dimensions:



SUGGESTED PAD LAYOUT

2. Schematic:



3. Electrical Specifications: @25°C

- Isolation: 1500 Vrms (PRI to SEC)
- TX Turns Ratio: 1:2 (PRI:SEC)
- RCV Turns Ratio: 1:1 (PRI:SEC)
- PRI OCL: 1.20mH Min @100KHz 50mV
- Q: 5 Min @10KHz 50mV
- Cw/w: 30pF Maximum @100KHz 50mV (PRI/SEC)
- PRI LL: 0.6uH Maximum @100KHz 50mV (Short Sec)
- Pri DCR: 1.0 Ohms Max
- Crosstalk: -60dB Min (0.1 to 5MHz)

Notes:

1. Solderability: Leads shall meet MIL-STD-202G, Method 208H for solderability.
2. Flammability: UL94V-0
3. ASTM oxygen index: > 28%
4. Insulation System: Class F 155°C. UL file E151556
5. Operating Temperature Range: All listed parameters are to be within tolerance from -40°C to +85°C
6. Storage Temperature Range: -55°C to +125°C
7. Aqueous wash compatible
8. SMD Lead Coplanarity: ±0.004”(0.102mm)
9. Electrical and mechanical specifications 100% tested
10. RoHS Compliant Component
11. Recommended IR Reflow peak temp of 250C Max.

DOC. REV: B/1

XFMRs Inc www.XFMRs.com	Title: T1/E1/CEPT QUAD PORT			
	UNLESS OTHERWISE SPECIFIED TOLERANCES:	P/N: XF00135B-32S	REV. B	
.xxx ±0.010	DWN.	Yuan	Apr-25-14	
Dimensions in INCH	CHK.	YK Liao	Apr-25-14	
SHEET 1 OF 1	APP.	DDC	Apr-25-14	

PROPRIETARY

Document is the property of XFMRs Group & is not allowed to be duplicated without authorization.