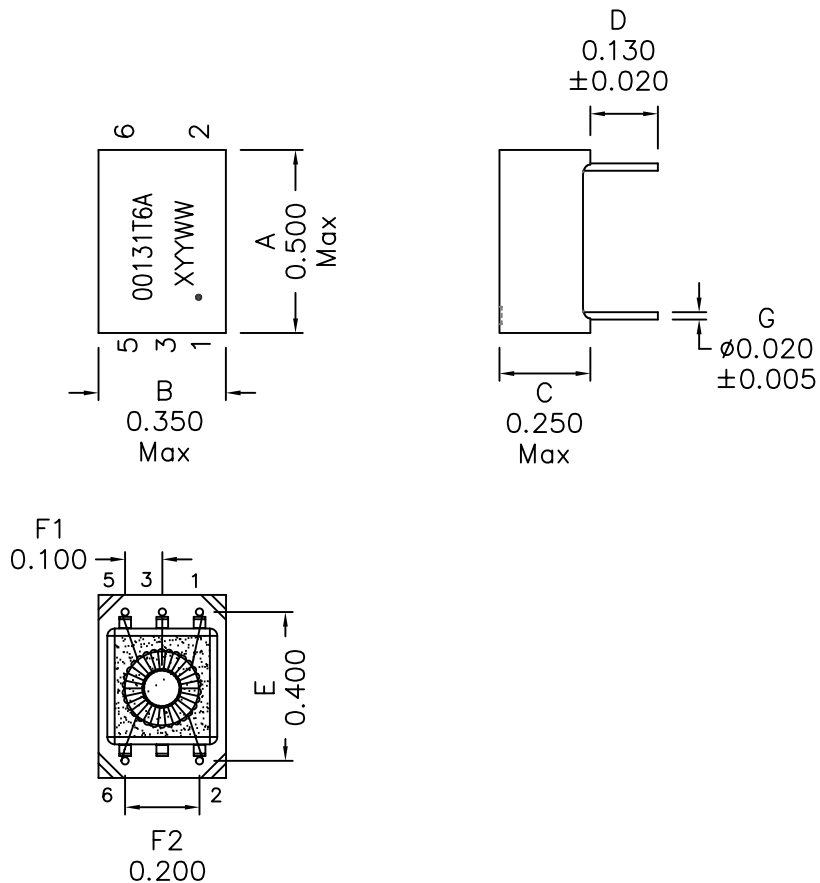
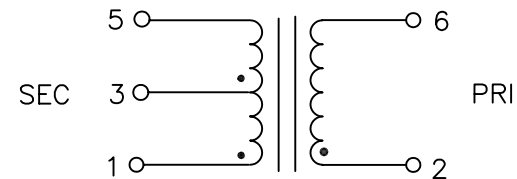


1. Mechanical Dimensions:



2. Schematic:



3. Electrical Specifications: @25°C

Isolation Voltage: 1500 Vrms
 Turns Ratio: (2-6):(1-3-5) = 1:1.15CT±5%
 PRI OCL: 1.20mH Minimum @100KHz 50mV
 PRI LL: 0.60uH Maximum @100KHz 50mV
 Cw/w: 35pF Maximum @100KHz 50mV
 PRI DCR: 0.70 Ohms Maximum
 SEC DCR: 0.90 Ohms Maximum
 PRI Q: 8 Minimum @10KHz 50mV

Notes:

- Solderability: Leads shall meet MIL-STD-202G, Method 208H for solderability.
- Flammability: UL94V-0
- ASTM oxygen index: > 28%
- Insulation System: Class F 155°C. UL file E151556
- Operating Temperature Range: All listed parameters are to be within tolerance from -40°C to +85°C
- Storage Temperature Range: -55°C to +125°C
- Aqueous wash compatible
- Electrical and mechanical specifications 100% tested
- RoHS Compliant Component

DOC. REV: A/5

XFMRs Inc www.XFMRS.com		Title: T1/CEPT/DS1 MAGNETICS TRANSFORMERS		
UNLESS OTHERWISE SPECIFIED TOLERANCES: .xxx ±0.010 Dimensions in Inch	P/N: XF00131T6A		REV. A	
	DWN.	Feng	Apr-11-12	
	CHK.	YK Liao	Apr-11-12	
SHT 1 OF 1	APP.	BW	Apr-11-12	