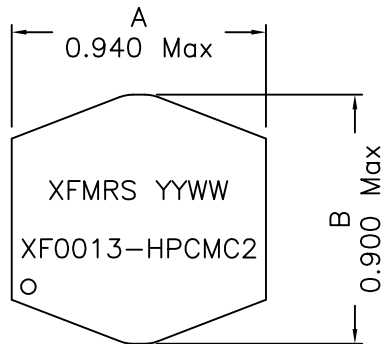
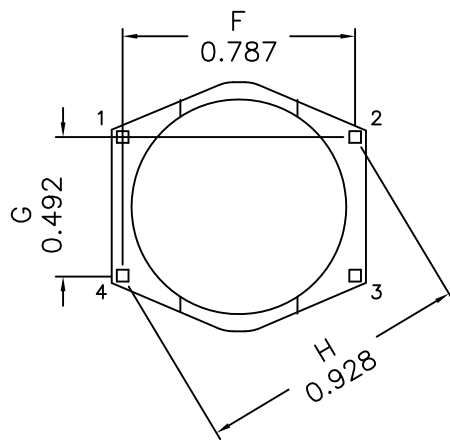
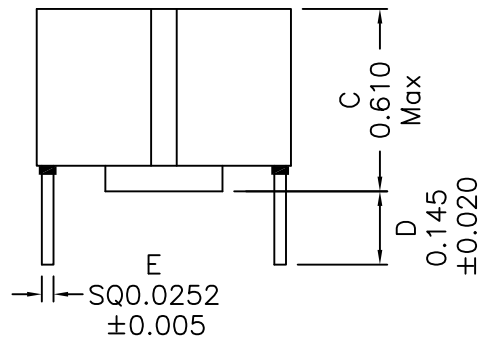


1. Mechanical Dimensions:



Top view

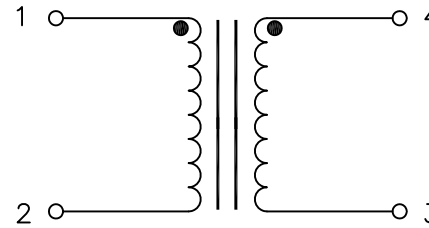


Bottom view

Notes:

1. Solderability: Leads shall meet MIL-STD-202G, Method 208H for solderability.
2. Flammability: UL94V-0
3. ASTM oxygen index: > 28%
4. Insulation System: Class F 155°C. UL file E151556
5. All listed parameters are to be within tolerance from -40°C to +85°C unless otherwise noted.
6. Storage Temperature Range: -55°C to +125°C
7. Aqueous wash compatible
8. Electrical and mechanical specifications 100% tested
9. RoHS Compliant Component

2. Schematic:



3. Electrical Specifications: @25°C

OCL: 1.0mH±30% @10KHz, 0.05V Each Wdg.

0.25mH Min@10KHz, 0.05V Each Wdg at -40C to 0C

1.30mH Max@10KHz, 0.05V Each Wdg at 70C to 85C

Q: 10 Min @10KHz, 0.05V Each Wdg.

DCR: 14 mOhms Max Each Wdg.

LL: 8.0uH Max @100KHz, 0.1V (Short Pins 4-3)

Rated Current: 12A

Hipot: 1500Vac, Wdg to Wdg, 2 Sec

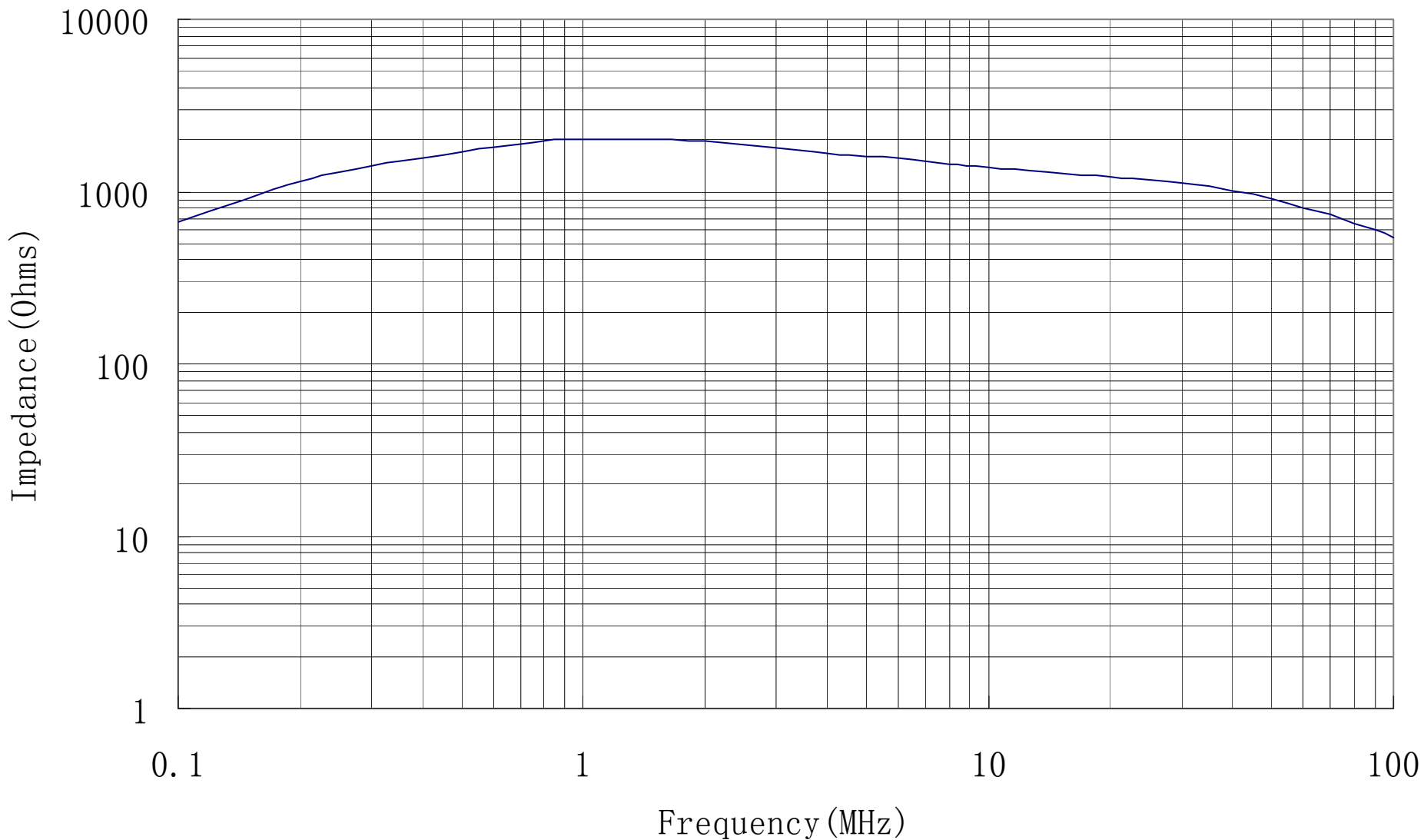
SRF: Pins 1-2 400KHz Min

DOC. REV: A/2

XFMRs Inc www.XFMRS.com	Title: Common Mode Choke		
	UNLESS OTHERWISE SPECIFIED	P/N: XF0013-HPCMC2	REV. A
TOLERANCES: .xxx ±0.020	DWN.	Yuan	May-11-15
Dimensions in Inch	CHK.	YK Liao	May-11-15
SHEET 1 OF 2	APP.	BW	May-11-15

PROPRIETARY

Document is the property of XFMRs Group & is not allowed to be duplicated without authorization.



DOC. REV: A/2

XFMRs Inc www.XFMRS.com	Title: Common Mode Choke		
	P/N: XF0013-HPCMC2	REV. A	
UNLESS OTHERWISE SPECIFIED TOLERANCES: .xxx ±0.020	DWN.	Yuan	May-11-15
Dimensions in Inch	CHK.	YK Liao	May-11-15
SHEET 2 OF 2	APP.	BW	May-11-15

PROPRIETARY

Document is the property of XFMRs Group & is not allowed to be duplicated without authorization.