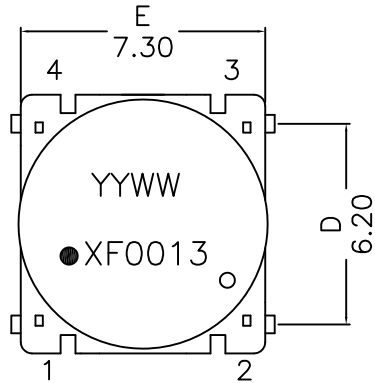
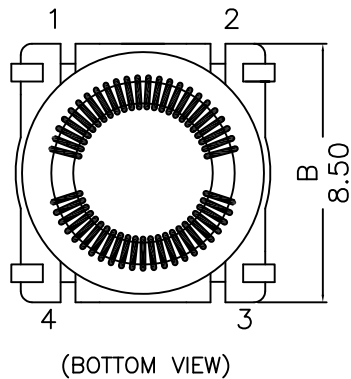
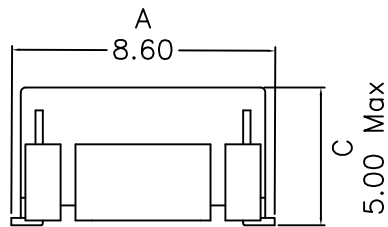


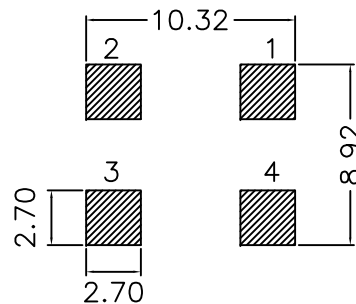
1. Mechanical Dimensions:



Top view

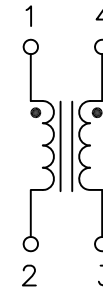


(BOTTOM VIEW)



Suggested footprint

2. Schematic:



3. Electrical Specifications: @25°C

OCL: 1000uH±40% @10KHz, 0.1V (Each Wdg)

Rated Current: 950mAdc Max

Q: 3 Min @10KHz, 0.1V (Each Wdg)

LL: Pins 1-2 10uH Max @1MHz 1mA (Short Pins 4-3)

DCR: 0.180 Ohms Max (Each Wdg)

Hipot: 1000Vac Leakage current 1mA Max, 1 Min ,Wdg to Wdg,

SRF: 1.2MHz Min

Notes:

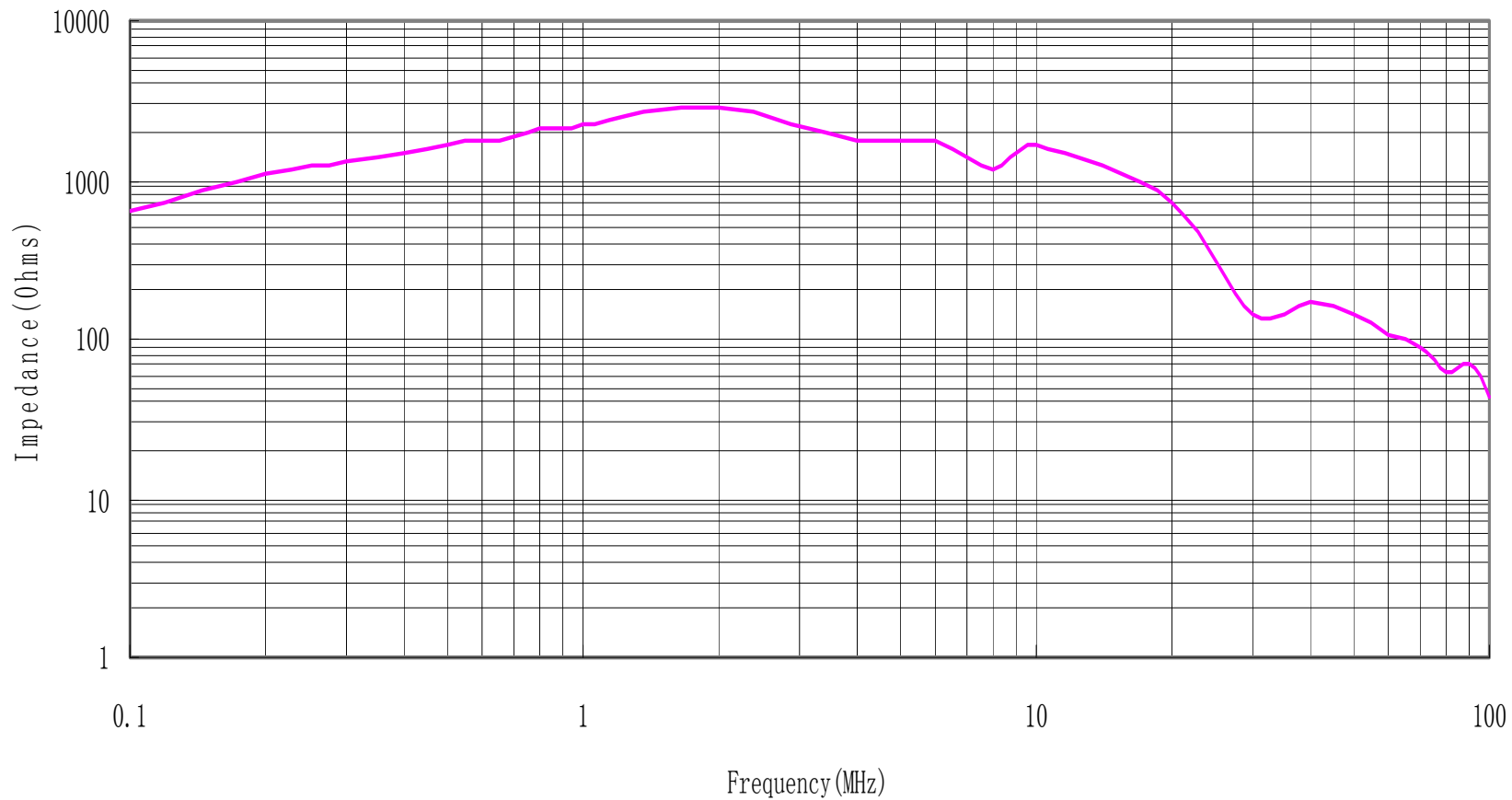
1. Solderability: Leads shall meet MIL-STD-202G, Method 208H for solderability.
2. Flammability: UL94V-0
3. ASTM oxygen index: > 28%
4. Insulation System: Class F 155°C. UL file E151556
5. All listed parameters are to be within tolerance from -40°C to +85°C unless otherwise noted
6. Storage Temperature Range: -55°C to +125°C
7. Aqueous wash compatible
8. SMD Lead Coplanarity: ±0.004"(0.102mm)
9. Electrical and mechanical specifications 100% tested
10. RoHS Compliant Component

XFMRs Inc. www.XFMRS.com	Title: Common Mode Choke		
UNLESS OTHERWISE SPECIFIED TOLERANCES: .xx ±0.25 Dimensions in mm	P/N: XF0013-CMC105	REV. A	
	DWN.	Xiang	Aug-24-16
	CHK.	YK Liao	Aug-24-16
SHEET 1 OF 2	APP.	DDC	Aug-24-16

DOC. REV: A/1

PROPRIETARY

Document is the property of XFMRs Group & is not allowed to be duplicated without authorization.



DOC. REV: A/1

XFMRs Inc. www.XFMRS.com	Title: Common Mode Choke		
	UNLESS OTHERWISE SPECIFIED TOLERANCES: .xx ±0.25 Dimensions in mm	P/N: XF0013-CMC105	REV. A
	DWN.	Xiang	Aug-24-16
	CHK.	YK Liao	Aug-24-16
SHEET 2 OF 2	APP.	DDC	Aug-24-16

PROPRIETARY

Document is the property of XFMRs Group & is not allowed to be duplicated without authorization.