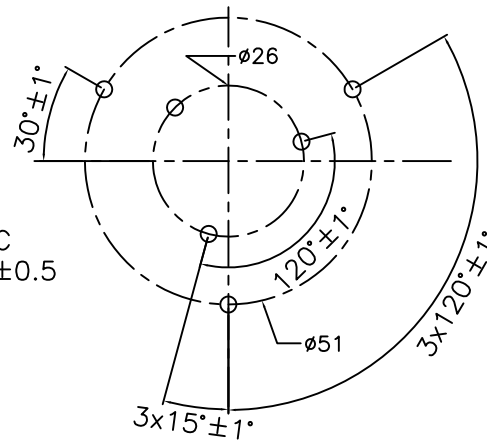
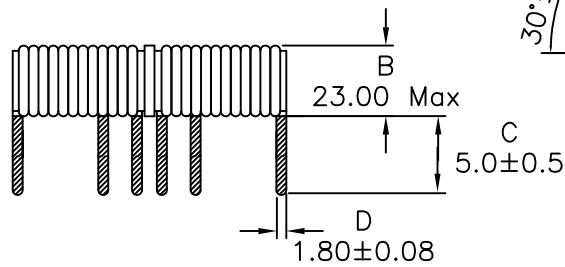
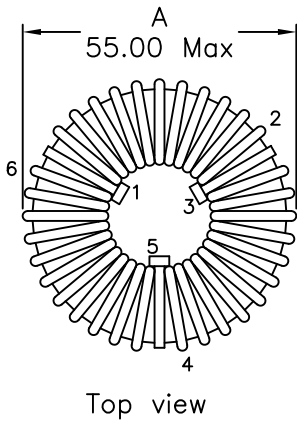
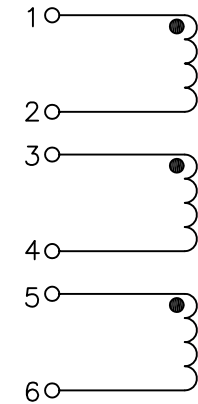


1. Mechanical Dimensions:



LEAD SPACING/
HOLE PATTERN

2. Schematic:



3. Electrical Specifications: @25C

OCL: 1.0mH±30% @10KHz 0.1V, Each wdg

Q: Pins 1-2 tbd Min @10KHz 0.1V

DCR: 0.040 Ohms Max, Each Wdg

Turns Ratio: (1-2):(3-4):(5-6)=1:1:1±2%

Hipot: 2250Vac, 5 Secs Wdg to Wdg

Rated Voltage: 600V

Rated Current: 25A

Notes:

1. Solderability: Leads shall meet MIL-STD-202G, Method 208H for solderability.
2. Flammability: UL94V-0
3. ASTM oxygen index: > 28%
4. Insulation System: Class F 155°C. UL file E151556
5. Operating Temperature Range: All listed parameters are to be within tolerance from -40°C to +85°C
6. Storage Temperature Range: -55°C to +125°C
7. Aqueous wash compatible
8. Electrical and mechanical specifications 100% tested
9. RoHS Compliant Component
10. Must leave 6.3mm Min between each winding

PRELIMINARY

Doc. Rev. A/-

XFMRs Inc. www.XFMRs.com	Title: CMC		
UNLESS OTHERWISE SPECIFIED TOLERANCES: .xx ±0.25	P/N: XF0013-3HOCMC		REV. A
	DWN.	Yuan	Feb-26-13
Dimensions in MM	CHK.	YK Liao	Feb-26-13
SHEET 1 OF 1	APP.	BW	Feb-26-13