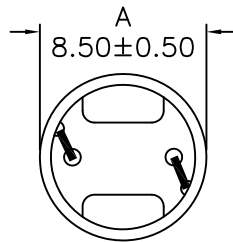
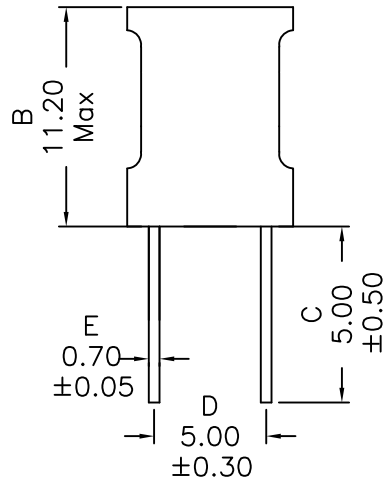
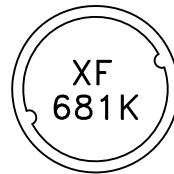


## 1. Mechanical Dimensions:



Bottom view

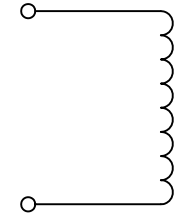


Top view

### Notes:

1. Solderability: Leads shall meet MIL-STD-202G, Method 208H for solderability.
2. Flammability: UL94V-0
3. ASTM oxygen index: > 28%
4. Insulation System: Class F 155°C. UL file E151556
5. All listed parameters are to be within tolerance from -40°C to +105°C noted otherwise noted
6. Storage Temperature Range: -40°C to +105°C
7. Aqueous wash compatible
8. Electrical and mechanical specifications 100% tested
9. RoHS Compliant Component

## 2. Schematic:



## 3. Electrical Specifications: @25°C

OCL: 680uH ±10% @1KHz, 0.1V

IDC: 0.59A Max

Q: 20 Min @0.796MHz 0.1V

DCR: 1.60 Ohms Max

SRF: 1.0MHz Min

DOC REV: A/2

<b>XFMRs Inc.</b> <a href="http://www.XFMRS.com">www.XFMRS.com</a>	Title: Radial Leaded Inductor		
	UNLESS OTHERWISE SPECIFIED TOLERANCES: .xx ±0.25 Dimensions in MM	P/N: RLXF0811-681K	REV. A
SHEET 1 OF 1	DWN.	Xiang	Jun-15-16
	CHK.	YK Liao	Jun-15-16
	APP.	GL	Jun-15-16

**PROPRIETARY**

Document is the property of XFMRs Group & is not allowed to be duplicated without authorization.