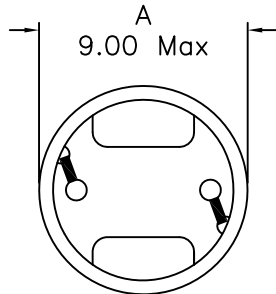
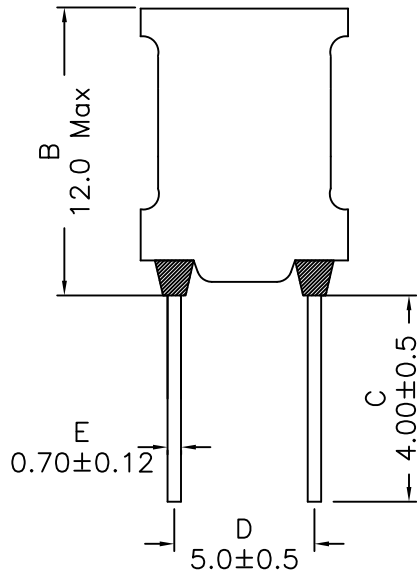
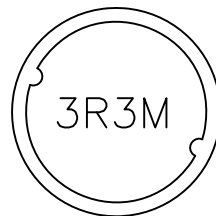


1. Mechanical Dimensions:



Bottom view



Top view

2. Schematic:



3. Electrical Specifications: @25°C

- OCL: 3.3uH±20% @1MHz, 0.1V
- Isat: 5.5Adc Max (Based on 5% drop in OCL)
- DCR: 0.025 Ohms Max
- Q: 5 Min @1MHz, 0.1V
- SRF: 28MHz Min

Notes:

- Solderability: Leads shall meet MIL-STD-202G, Method 208H for solderability.
- Flammability: UL94V-0
- ASTM oxygen index: > 28%
- Insulation System: Class F 155°C. UL file E151556
- Operating Temperature Range: All listed parameters are to be within tolerance from -55°C to +105°C
- Storage Temperature Range: -55°C to +125°C
- Aqueous wash compatible
- Electrical and mechanical specifications 100% tested
- RoHS Compliant Component

DOC. REV: A/3

XFMRs Inc. www.XFMRS.com	Title: Radial Leaded Inductor		
UNLESS OTHERWISE SPECIFIED TOLERANCES: .xx ±0.10 Dimensions in MM	P/N: RLXF0810-3R3M		REV. A
	DWN.	Xiang	May-23-16
SHEET 1 OF 1	CHK.	YK Liao	May-23-16
	APP.	DDC	May-23-16