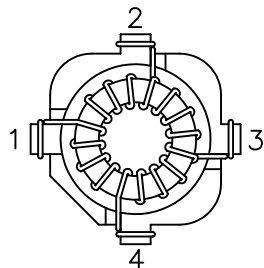
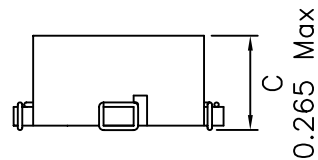
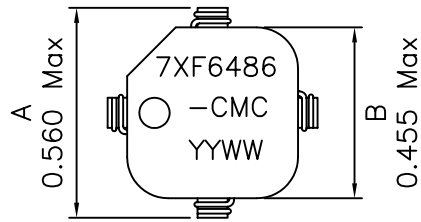
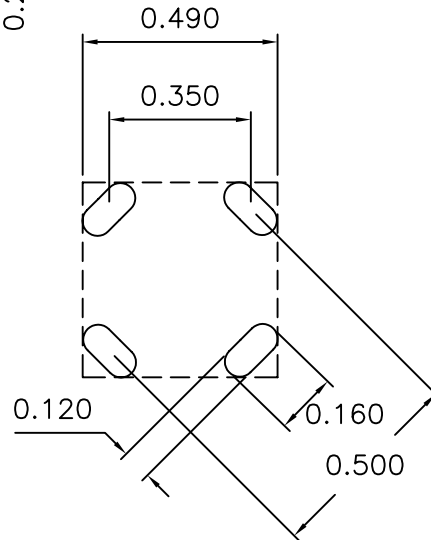


## 1. Dimensions:



BOTTOM VIEW



RECOMMENDED LAYOUT PATTERN  
(TOP VIEW)

## 2. Schematic:



## 3. Electrical Specifications: @25°C

OCL: 648uH Min @100KHz, 0.1V Each Wdg.

Leakage Inductance: P1-2 5.1uH Typ @100KHz, 0.1V Short P4-3

Cww: P1-4 5.10pF Typ @100KHz, 0.1V

DCR: 0.107 Ohms Typ Each Wdg.

Rated Current: 1.2Arms

Isolation: 300Vdc Min for 1 Second

### Notes:

1. Solderability: Leads shall meet MIL-STD-202G, Method 208H for solderability.
2. Flammability: UL94V-0
3. ASTM oxygen index: > 28%
4. Insulation System: Class F 155°C. UL file E151556
5. Operating Temperature Range: All listed parameters are to be within tolerance from -40°C to +85°C
6. Storage Temperature Range: -55°C to +125°C
7. Aqueous wash compatible
8. SMD Lead Coplanarity: ±0.004\*(0.102mm)
9. Electrical and mechanical specifications 100% tested
10. RoHS Compliant Component
11. NO VARNISH REQUIRED

<b>XFMRs Inc.</b> <a href="http://www.XFMRs.com">www.XFMRs.com</a>	Title: Common Mode Choke		
	UNLESS OTHERWISE SPECIFIED TOLERANCES: .xxx ±0.010 Dimensions in Inch	P/N: 7XF6486-CMC	REV. A
SCALE 2:1 SHT 1 OF 1	DWN.	廖玉坤	Feb-18-09
	CHK.	李清儿	Feb-18-09
	APP.	BW	Feb-18-09

DOC. REV. A/1

**PROPRIETARY**

Document is the property of XFMRs Group & is not allowed to be duplicated without authorization.