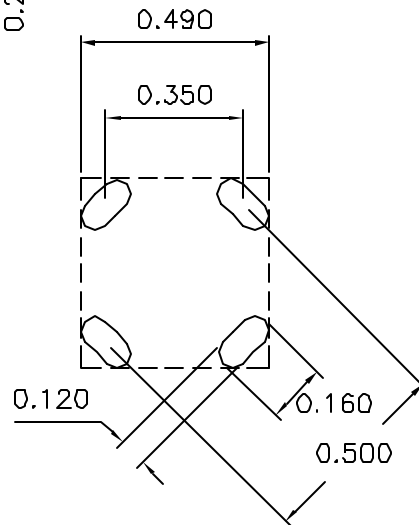
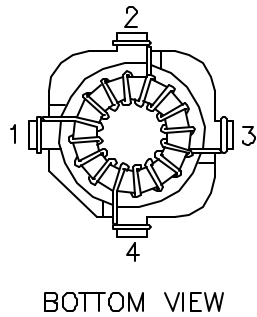
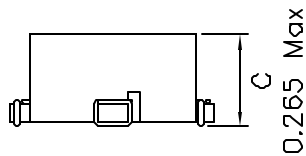
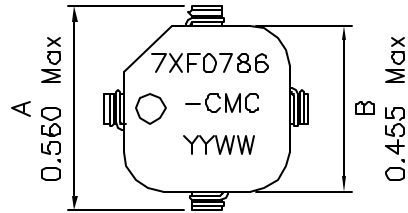


1. Dimensions:



RECOMMENDED LAYOUT PATTERN
(TOP VIEW)

2. Schematic:



3. Electrical Specifications: @25°C

OCL: 78uH Typ / 64uH Min @100KHz, 0.1V Each Wdg.

Leakage Inductance: P1-2 0.64uH Typ @100KHz, 0.1V Short P4-3

Cww: P1-4 3.30pF Typ @100KHz, 0.1V

DCR: 0.007 Ohms Typ Each Wdg.

Rated Current: 4.75Arms

Isolation: 300Vdc Min for 1 Second

Notes:

1. Solderability: Leads shall meet MIL-STD-202G, Method 208H for solderability.
2. Flammability: UL94V-0
3. ASTM oxygen index: > 28%
4. Insulation System: Class F 155°C. UL file E151556
5. Operating Temperature Range: All listed parameters are to be within tolerance from -40°C to +85°C
6. Storage Temperature Range: -55°C to +125°C
7. Aqueous wash compatible
8. SMD Lead Coplanarity: ±0.004*(0.102mm)
9. Electrical and mechanical specifications 100% tested
10. RoHS Compliant Component
11. NO VARNISH REQUIRED

XFMRs Inc. www.XFMRs.com	Title: Common Mode Choke	
	P/N: 7XF0786-CMC TOLERANCES: .xxx ±0.010 Dimensions in Inch SCALE 2:1 SHT 1 OF 1	REV. A DWN. 廖玉坤 CHK. 李清儿 APP. BW

DOC. REV. A/3

PROPRIETARY

Document is the property of XFMRs Group & is not allowed to be duplicated without authorization.