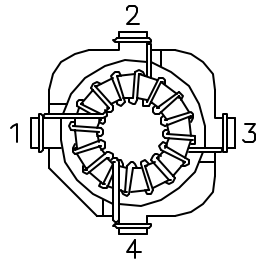
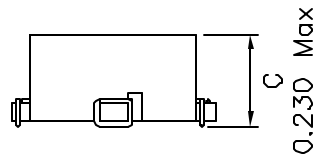
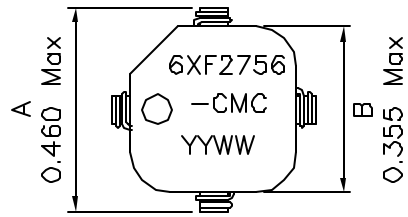
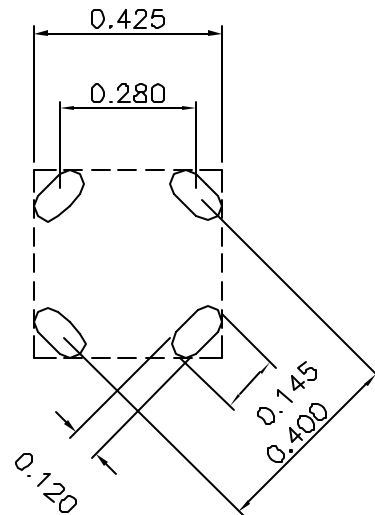


1. Dimensions:

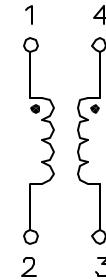


BOTTOM VIEW



RECOMMENDED LAYOUT PATTERN
(TOP VIEW)

2. Schematic:



3. Electrical Specifications: @25°C

OCL: 275uH Typ @100KHz, 0.1V (each)

I_{rms}: 1.85A Max (Based on 40°C temp rise)

LL: 1.75uH Typ

DCR: 0.044 Ohms Typ (each)

C_{w/w}: 3.4pF Typ

HIPOT: 300V for 1 Min (Wdg to Wdg)

Notes:

1. Solderability: Leads shall meet MIL-STD-202, Method 208D for solderability.
2. Flammability: UL94V-0
3. ASTM oxygen Index: > 28%
4. Insulation System: Class F 155°C. UL file E151556
5. Operating Temperature Range: All listed parameters are to be within tolerance from -40°C to +85°C
6. Storage Temperature Range: -55°C to +125°C
7. Aqueous wash compatible
8. SMD Lead Coplanarity: ±0.004"(0.102mm)
9. Moisture Sensitivity: Level 2

DOC. REV: A/1

PROPRIETARY

Document is the property of XFMRS Group & is not allowed to be duplicated without authorization.

XFMRS Inc.	Title: Common Mode Choke		
	UNLESS OTHERWISE SPECIFIED TOLERANCES: .xxx ±0.010	P/N: 6XF2756-CMC	REV. A
Dimensions in Inch	DWN. 李小锋	Sep-03-04	
SCALE 2:1 SHT 1 OF 1	CHK. 廖玉坤	Sep-03-04	
	APP. J Ng	Sep-03-04	