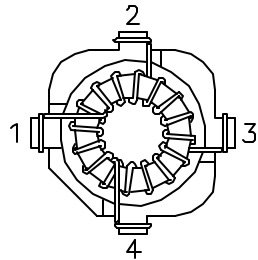
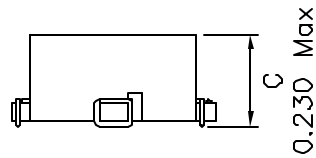
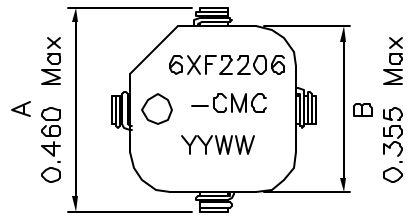
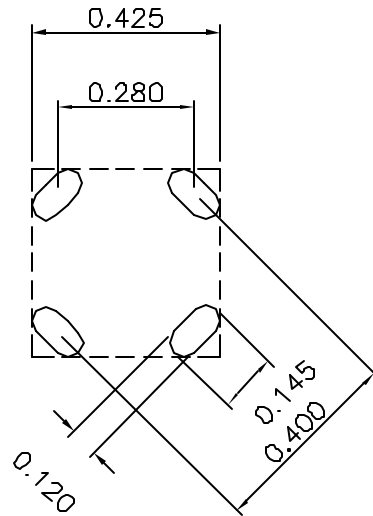


### 1. Dimensions:

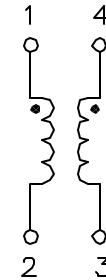


BOTTOM VIEW



RECOMMENDED LAYOUT PATTERN (TOP VIEW)

### 2. Schematic:



### 3. Electrical Specifications: @25°C

OCL: 220uH±25% @100KHz 0.1V, Each Wdg  
 Rated: 2.20Arms Max (Based on 40°C Temp Rise)  
 LL: Pins 1-2 1.20uH Typ @100KHz 0.1V, Short 4-3  
 DCR: 0.027 Ohms Max, Each Wdg  
 Isolation: 1250Vrms Wdg-Wdg, 1 Second

#### Notes:

- Solderability: Leads shall meet MIL-STD-202G, Method 208H for solderability.
- Flammability: UL94V-0
- ASTM oxygen index: > 28%
- Insulation System: Class F 155°C. UL file E151556
- Operating Temperature Range: All listed parameters are to be within tolerance from -40°C to +85°C
- Storage Temperature Range: -55°C to +125°C
- Aqueous wash compatible
- SMD Lead Coplanarity: ±0.004"(0.102mm)
- Moisture Sensitivity: Level 3
- Electrical and mechanical specifications 100% tested
- RoHS Compliant Component

<b>XFMRs Inc</b> www.XFMRs.com	Title: <b>Common Mode Choke</b>	
	P/N: 6XF2206-CMC	REV. A
UNLESS OTHERWISE SPECIFIED TOLERANCES: .xxx ±0.010	DWN. 李小锋	Sep-27-05
Dimensions in Inch	CHK. 廖玉坤	Sep-27-05
SCALE 2:1 SHT 1 OF 1	APP. MS	Sep-27-05

DOC. REV: A/3

**PROPRIETARY**

Document is the property of XFMRs Group & is not allowed to be duplicated without authorization.