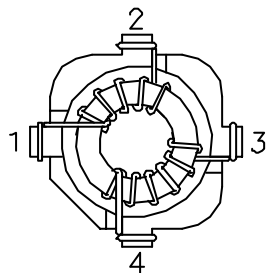
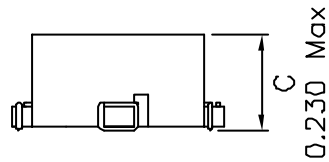
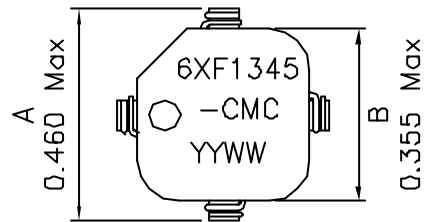
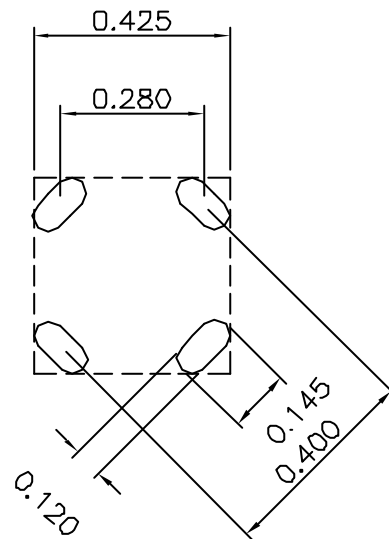


### 1. Dimensions:

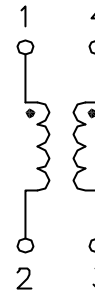


BOTTOM VIEW



RECOMMENDED LAYOUT PATTERN (TOP VIEW)

### 2. Schematic:



### 3. Electrical Specifications: @25°C

- OCL: 1340uH Min @10KHz 0.1V, Each Wdg
- Current Rating: 0.50Arms (Based on 40°C Temp Rise)
- DC Res.: 0.620 Dhms Typ (each)
- Isolation: 500Vrms Wdg-Wdg, 1 Second
- LL: 9.0uH Typ @100KHz, 0.1V Short Opp. Wdg.
- Cw/w: Pins 1-4 5.4pF Typ @100KHz 0.1V

Notes:

1. Solderability: Leads shall meet MIL-STD-202G, Method 208H for solderability.
2. Flammability: UL94V-0
3. ASTM oxygen index: > 28%
4. Insulation System: Class F 155°C. UL file E151556
5. Operating Temperature Range: All listed parameters are to be within tolerance from -40°C to +85°C
6. Storage Temperature Range: -55°C to +125°C
7. Aqueous wash compatible
8. SMD Lead Coplanarity: ±0.004\*(0.102mm)
9. Electrical and mechanical specifications 100% tested
10. RoHS Compliant Component

<b>XFMRs Inc.</b> www.XFMRs.com	Title: <b>Common Mode Choke</b>		
	UNLESS OTHERWISE SPECIFIED	P/N: 6XF1345-CMC	REV. A
TOLERANCES: .xxx ±0.010	DWN.	Juan Mao	Mar-08-06
Dimensions in Inch	CHK.	YK Liao	Mar-08-06
SCALE 2:1 SHT 1 OF 1	APP.	BW	Mar-08-06

DOC. REV: A/3

**PROPRIETARY**

Document is the property of XFMRs Group & is not allowed to be duplicated without authorization.