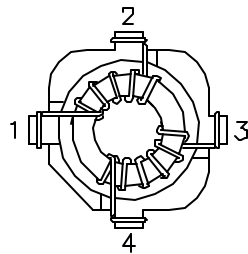
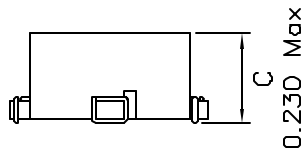
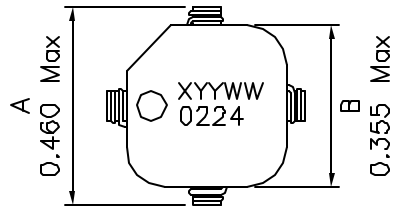
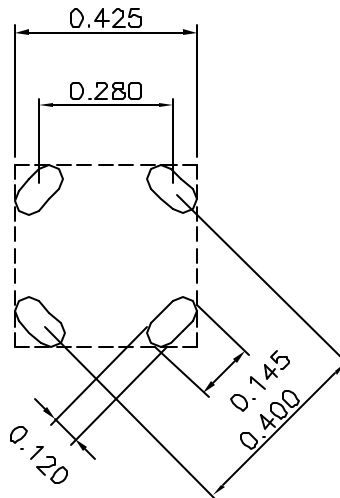


1. Mechanical Dimensions:

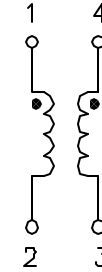


BOTTOM VIEW



RECOMMENDED LAYOUT PATTERN
(TOP VIEW)

2. Schematic:



3. Electrical Specifications: @25°C

OCL: 2.2mH±30% @10KHz 0.1V, Each Wdg (±2% balance)

Q: Pins 1-2 3 Min @10KHz 0.1V

Current Rating: 0.60Arms (Based on 40°C Temp Rise)

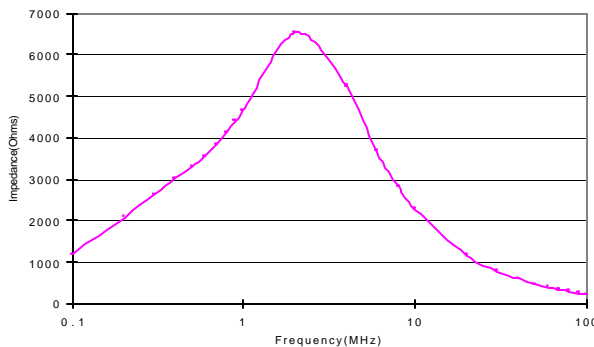
DC Res.: 0.300 Ohms Typ (each)

Isolation: 500Vrms Wdg-Wdg, 1 Second

LL: 6.0uH Typ @10KHz, 0.1V Short Opp. Wdg.

Notes:

1. Solderability: Leads shall meet MIL-STD-202G, Method 208H for solderability.
2. Flammability: UL94V-0
3. ASTM oxygen index: > 28%
4. Insulation System: Class F 155°C. UL file E151556
5. Operating Temperature Range: All listed parameters are to be within tolerance from -55°C to +105°C
6. Storage Temperature Range: -55°C to +125°C
7. Aqueous wash compatible
8. SMD Lead Coplanarity: ±0.004" (0.102mm)
9. Electrical and mechanical specifications 100% tested
10. RoHS Compliant Component



DOC. REV: A/2

PROPRIETARY Document is the property of XFMRS Group & is not allowed to be duplicated without authorization.

| | | | |
|--|--|------------------------------------|--------------------|
| XFMRS Inc. www.XFMRS.com | | Title: Common Mode Choke | |
| UNLESS OTHERWISE SPECIFIED TOLERANCES: .xxx ±0.010 Dimensions in Inch | | P/N: 6XF0224-CMC | REV. A |
| | | DWN. | Mei Chen Jul-12-10 |
| | | CHK. | YK Liao Jul-12-10 |
| SHEET 1 OF 1 | | APP. | Joe Huff Jul-12-10 |