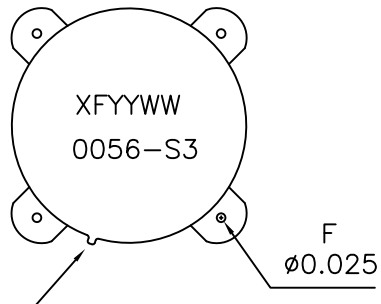
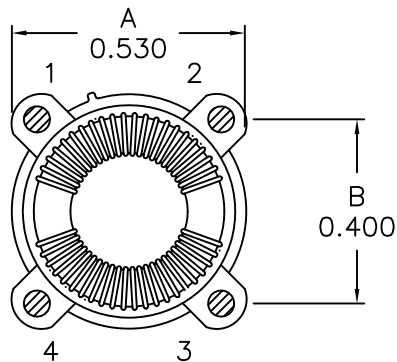
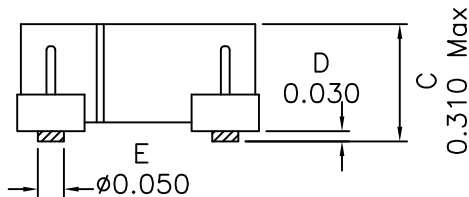


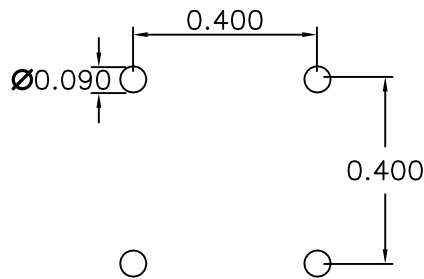
1. Mechanical Dimensions:



RIB INDICATES PIN1

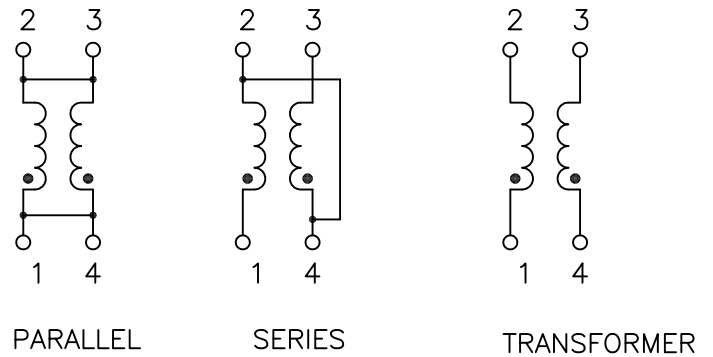


(BOTTOM VIEW)



(PCB Layout)

2. Schematic:



3. Electrical Specifications: @25°C

	PARALLEL	SERIES	
OCL(NO DC):	4.56uH±20%	18.2uH±20%	10KHz,1.0V
OCL(MAX DC I):	3.65uH MIN	14.6uH MIN	10KHz,1.0V
MAX DC I:	6.47 ADC	3.24 ADC	
MAX DCR:	0.0093 Ohms	0.037 Ohms	
Q:	5 Min @10KHz, 1V (each)		
Isolation:	500 Vrms		

Notes:

- Solderability: Leads shall meet MIL-STD-202G, Method 208H for solderability.
- Flammability: UL94V-0
- ASTM oxygen index: > 28%
- Insulation System: Class F 155°C. UL file E151556
- Operating Temperature Range: All listed parameters are to be within tolerance from -40°C to +85°C
- Storage Temperature Range: -55°C to +125°C
- Aqueous wash compatible
- SMD Lead Coplanarity: ±0.004*(0.102mm)
- Electrical and mechanical specifications 100% tested
- RoHS Compliant Component

DOC. REV. B/4

XFMRs Inc. www.XFMRs.com	Title: DUAL SURFACE MOUNT INDUCTOR		
	UNLESS OTHERWISE SPECIFIED	P/N: 1XF0056-S3	REV. B
TOLERANCES: .xxx ±0.010	DWN.	Mei Chen	Jan-26-15
Dimensions in Inch	CHK.	YK Liao	Jan-26-15
SHEET 1 OF 1	APP.	BW	Jan-26-15

PROPRIETARY

Document is the property of XFMRs Group & is not allowed to be duplicated without authorization.