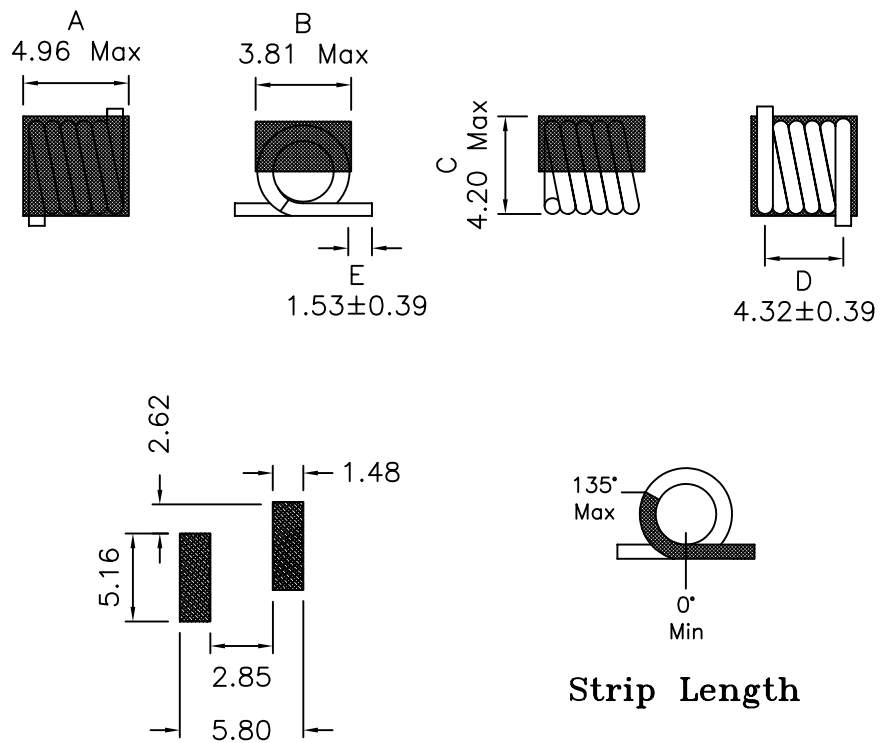
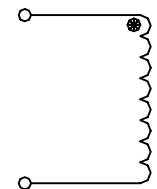


## 1. Mechanical Dimensions:



## 2. Schematic:



## 3. Electrical Specifications:

OCL: 33nH±5%

Q: 100 Min

TEST FREQ: 150MHz

SRF: 2500MHz Min

DCR: 4.8 mOhms Max

IDC: 3.0A Max

### Notes:

- Solderability: Leads shall meet MIL-STD-202G, Method 208H for solderability.
- Flammability: UL94V-0
- ASTM oxygen index: > 28%
- Insulation System: Class F 155°C. UL file E151556
- Operating Temperature Range: All listed parameters are to be within tolerance from -40°C to +125°C
- Storage Temperature Range: -55°C to +125°C
- Aqueous wash compatible
- SMD Lead Coplanarity: ±0.004"(0.102mm)
- Electrical and mechanical specifications 100% tested
- RoHS Compliant Component

DOC. REV: A/1

<b>XFMRs Inc.</b> www.XFMRs.com		Title: Micro Spring Air Core Inductors		
UNLESS OTHERWISE SPECIFIED TOLERANCES: .xx ±0.25 Dimensions in MM	P/N: 1812-33NJ		REV. A	
	DWN.	Feng	Feb-17-12	
SHEET 1 OF 1	CHK.	YK Liao	Feb-17-12	
	APP.	BW	Feb-17-12	

**PROPRIETARY**

Document is the property of XFMRs Group & is not allowed to be duplicated without authorization.