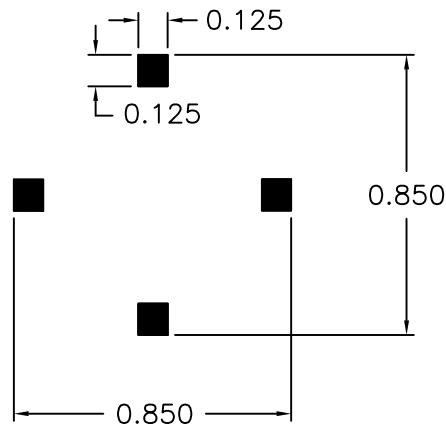
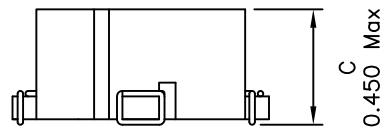
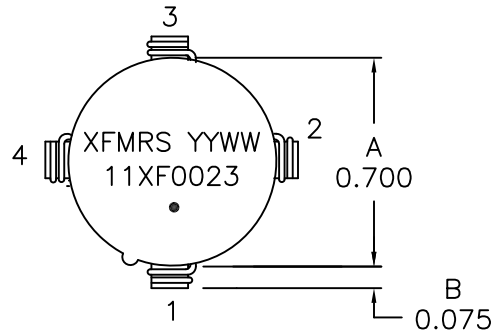
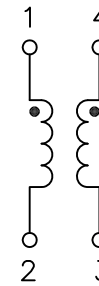


1. Mechanical Dimensions:



RECOMMENDED LAYOUT PATTERN
(TOP VIEW)

2. Schematic:



3. Electrical Specifications: @25°C

OCL: 2.0mH Min @1KHz 0.1V, Each Wdg

Q: 10 Min @1KHz 0.1V, Each Wdg

LL: Pins 1-2 0.3uH Typ @100KHz 0.1V (short 4-3)

DCR: 30.0mOhms Max, Each Wdg

Irms: 3.5Adc (OCL 35°C Typ Temp Rise)

Freq. Range: 300KHz - 20MHz @20dB Attenuation

Hipot: 500Vac, Wdgs to Wdgs

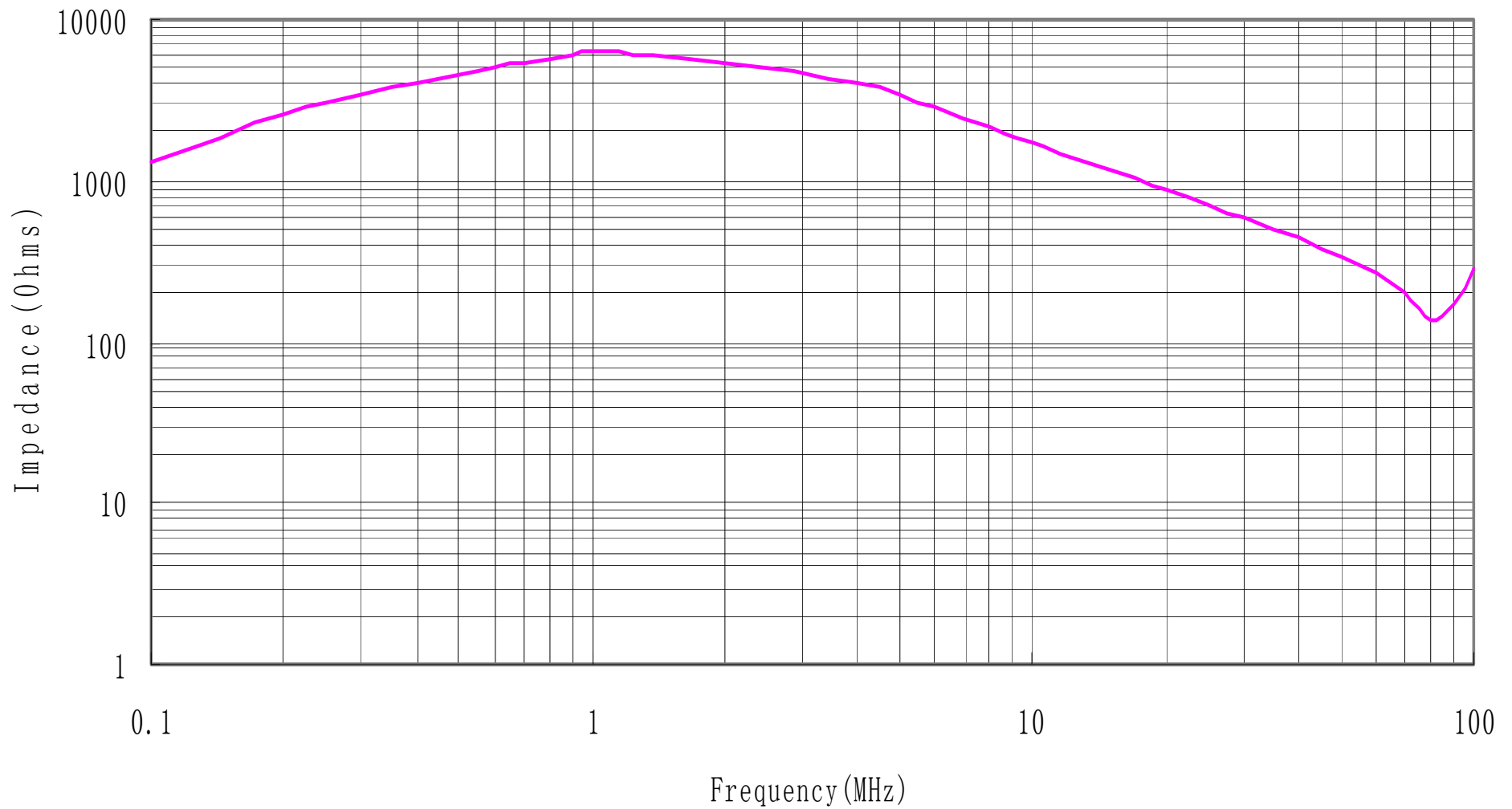
SRF: Pins 1-2 500KHz Min

Notes:

1. Solderability: Leads shall meet MIL-STD-202G, Method 208H for solderability.
2. Flammability: UL94V-0
3. ASTM oxygen index: > 28%
4. Insulation System: Class F 155°C. UL file E151556
5. All listed parameters are to be within tolerance from -55°C to +125°C unless otherwise noted.
6. Storage Temperature Range: -55°C to +125°C
7. Aqueous wash compatible
8. SMD Lead Coplanarity: ±0.004"(0.102mm)
9. Electrical and mechanical specifications 100% tested
10. RoHS Compliant Component

DOC REV: A/1

XFMRS Inc www.XFMRS.com		Title: Common Mode Choke	
UNLESS OTHERWISE SPECIFIED TOLERANCES: .xxx ±0.010 Dimensions in Inch	P/N: 11XF0023-CMC		REV. A
	DWN.	Xiang	Sep-08-11
	CHK.	YK Liao	Sep-08-11
SHEET 1 OF 2	APP.	GL	Sep-08-11



DOC REV: A/1

XFMRs Inc www.XFMRs.com	Title: Common Mode Choke			
	UNLESS OTHERWISE SPECIFIED TOLERANCES: .xxx ±0.010 Dimensions in Inch	P/N: 11XF0023-CMC	REV. A	
	DWN.	Xiang	Sep-08-11	
	CHK.	YK Liao	Sep-08-11	
SHEET 2 OF 2	APP.	GL	Sep-08-11	