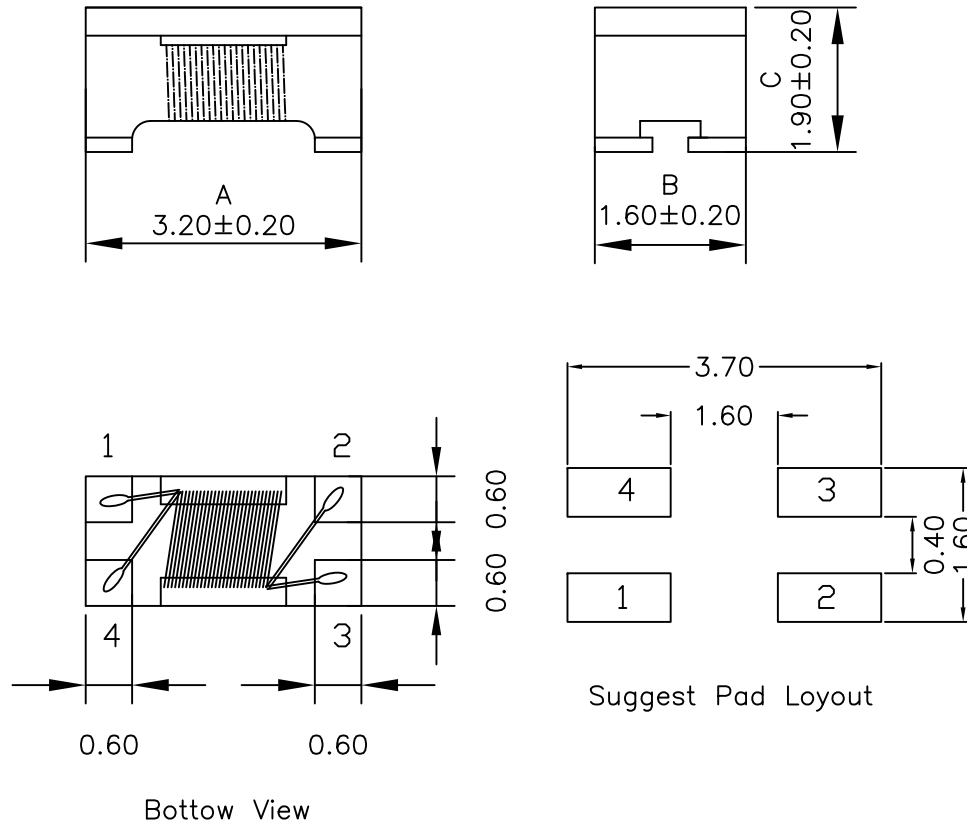
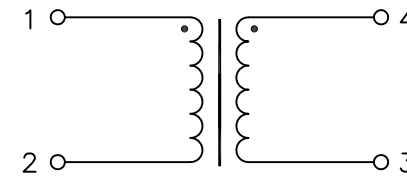


1. Mechanical Dimensions:



2. Schematic:



3. Electrical Specifications:

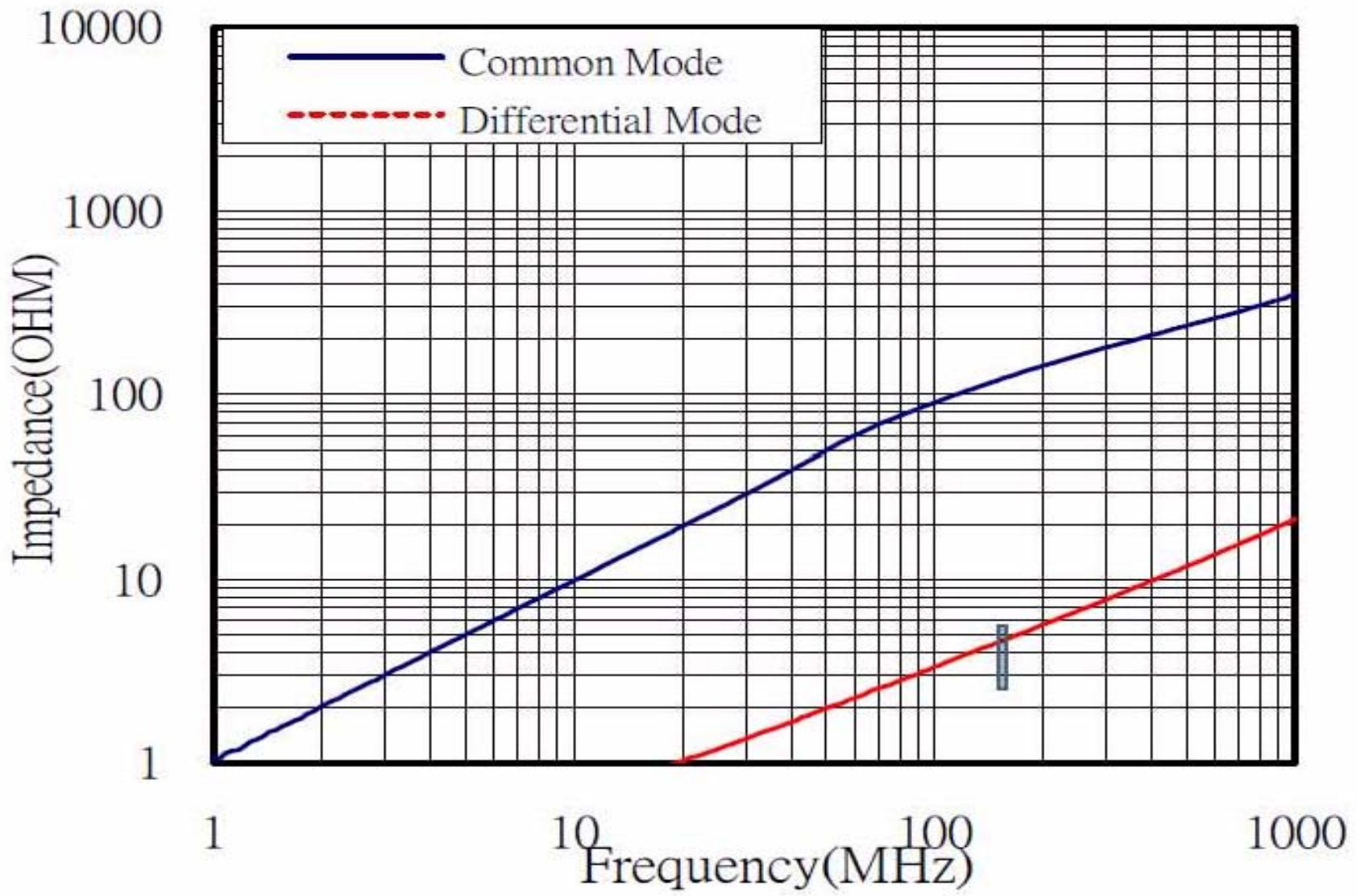
Common Mode Impedance: 90 Ohms $\pm 25\%$ @100MHz
 Rated Current: 500mA Max
 Rated Voltage: 50Vdc
 DCR: 0.30 Ohms Max
 Withstand Voltage: 125Vdc
 Insulation Resistance: 10MOhms Min

Notes:

1. Solderability: Leads shall meet MIL-STD-202G, Method 208H for solderability.
2. Flammability: UL94V-0
3. ASTM oxygen index: > 28%
4. Insulation System: Class F 155°C. UL file E151556
5. Operating Temperature: -40°C to +125°C
6. Storage Temperature Range: -40°C to +125°C
7. Aqueous wash compatible
8. SMD Lead Coplanarity: 0.004" (0.102mm) Max
9. Electrical and mechanical specifications 100% tested
10. RoHS Compliant Component
11. Outsourced item processed & controlled under XFMRs QA system
12. Recommended IR Reflow peak temp of 260°C Max.

DOC. REV: A/3

XFMRs Inc www.XFMRs.com		Title: Common Mode Choke		
		P/N: XFWCMC321619-900		REV A
UNLESS OTHERWISE SPECIFIED TOLERANCES: .xx ± 0.25 Dimensions in MM		DWN.	Huo	Dec-14-18
		CHK.	YK Liao	Dec-14-18
SHEET 1 OF 2		APP.	GL	Dec-14-18

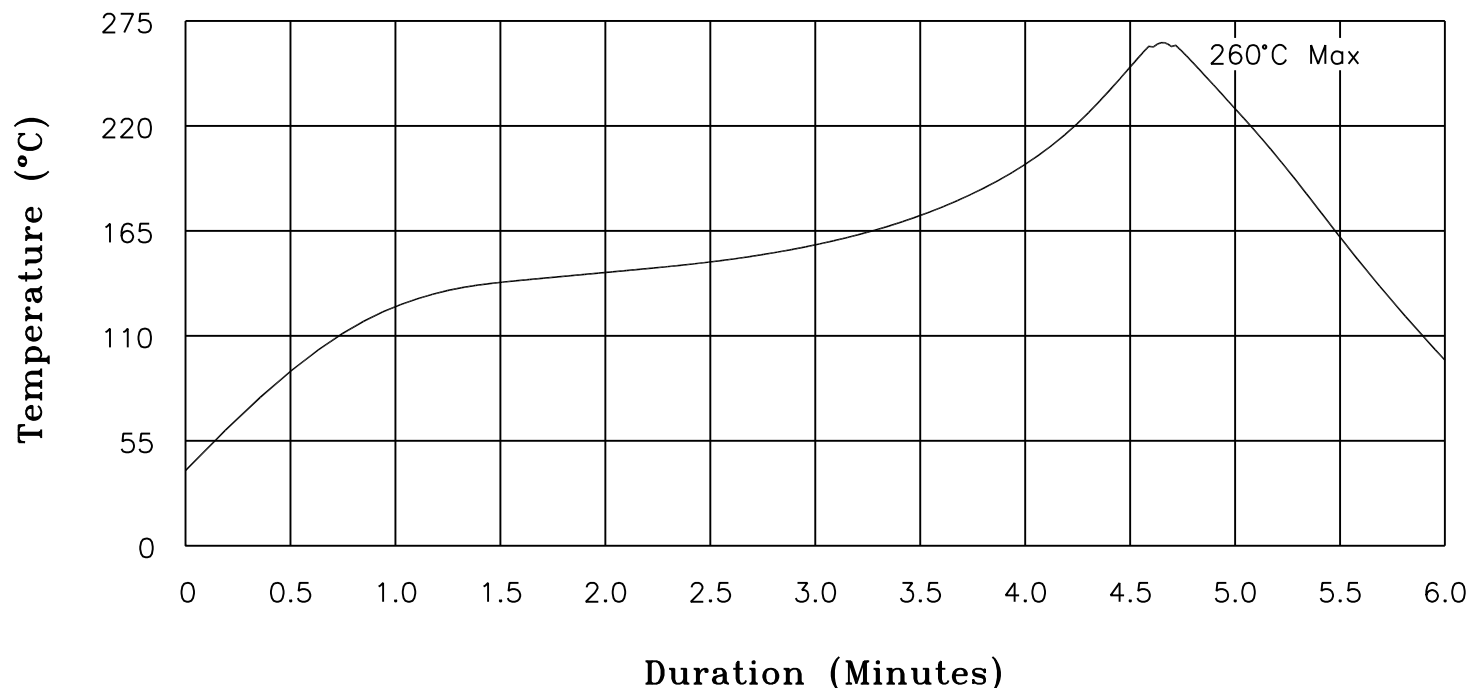


DOC. REV: A/3

XFMRs Inc www.XFMRs.com	Title: Common Mode Choke		
	P/N: XFWCMC321619-900		REV A
UNLESS OTHERWISE SPECIFIED TOLERANCES: .xx ±0.25 Dimensions in MM	DWN.	Huo	Dec-14-18
	CHK.	YK Liao	Dec-14-18
	APP.	GL	Dec-14-18
SHEET 2 OF 2			

XFMRs

Recommended Infrared Reflow Temperature Profile for RoHS Compliant Parts



NOTES: Maximum duration at 260°+0/-5° with 10 seconds Max.
 Maximum duration above 217° shall be 60-150 seconds.
 ALL Temperatures refer to topside of the package, measured on the package body surface.

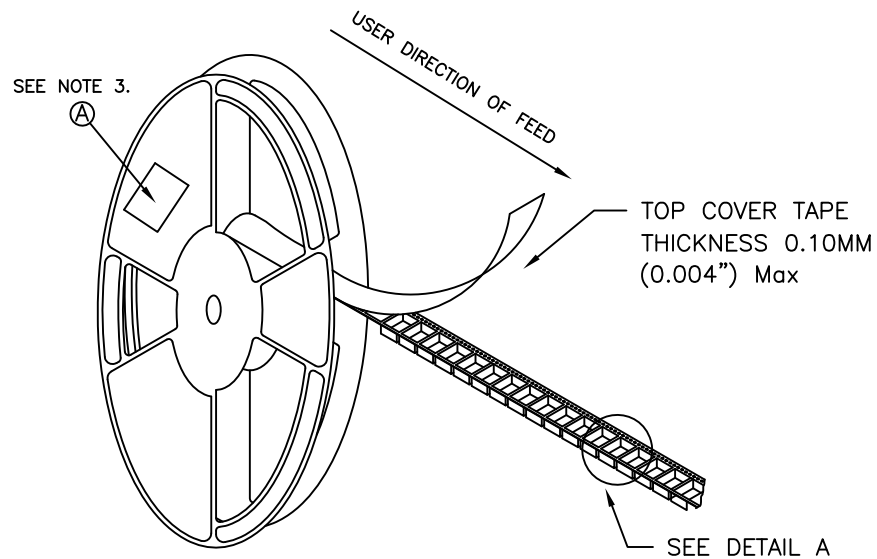
XFMRs Inc www.XFMRs.com	Title: IR REFLOW CHART (RoHS Compliant parts)			
	UNLESS OTHERWISE SPECIFIED TOLERANCES: N/A	P/N: N/A	REV. A	
	DWN.	Juan Mao	Jan-16-05	
	CHK.	YK Liao	Jan-16-05	
SHEET 1 OF 1	APP.	MS	Jan-16-05	

PROPRIETARY Document is the property of XFMRs Group & is not allowed to be duplicated without authorization.

TAPE AND REEL SPECIFICATION:

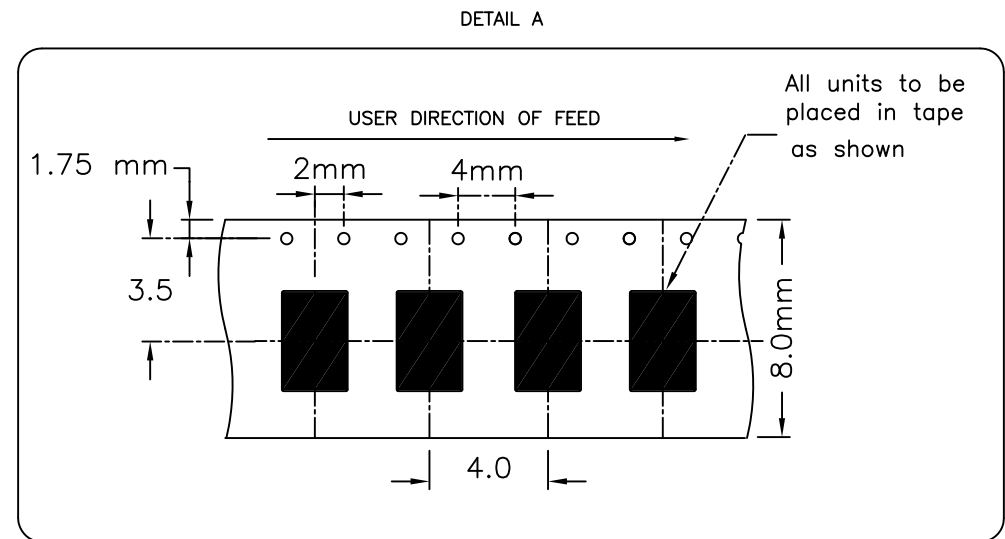
NOTES:

- 1) PROCESS IN ACCORDANCE WITH EIA-481-2 STANDARDS
 - * TAPE LEADER DIMENSION 15.30" MIN.
 - * TAPE TRAILER DIMENSION 6.30" MIN.
- 2) PARTS SHOULD BE PACKAGED IN ACCORDANCE WITH ESD GUIDELINES IN EIA-541.
- 3) REEL LABEL: 'A' * PART NUMBER
 - * QUANTITY
 - * DATE CODE
- 4) 2000PCS PER 7" REEL



REEL AND TAPE ORIENTATION

7" REEL DIAMETER



DOC. REV. A/1

XFMR5 Inc	Title: T&R SPEC		
	UNLESS OTHERWISE SPECIFIED	P/N:XFWCMC321619 series	REV. A
TOLERANCES: .xxs ±xxxxx	DWN.	Kong	Dec-01-17
Dimensions in mm	CHK.	YK Liao	Dec-01-17
SHT 1 OF 1	APP.	GL	Dec-01-17

PROPRIETARY

Document is the property of XFMR5 Group & is not allowed to be duplicated without authorization.