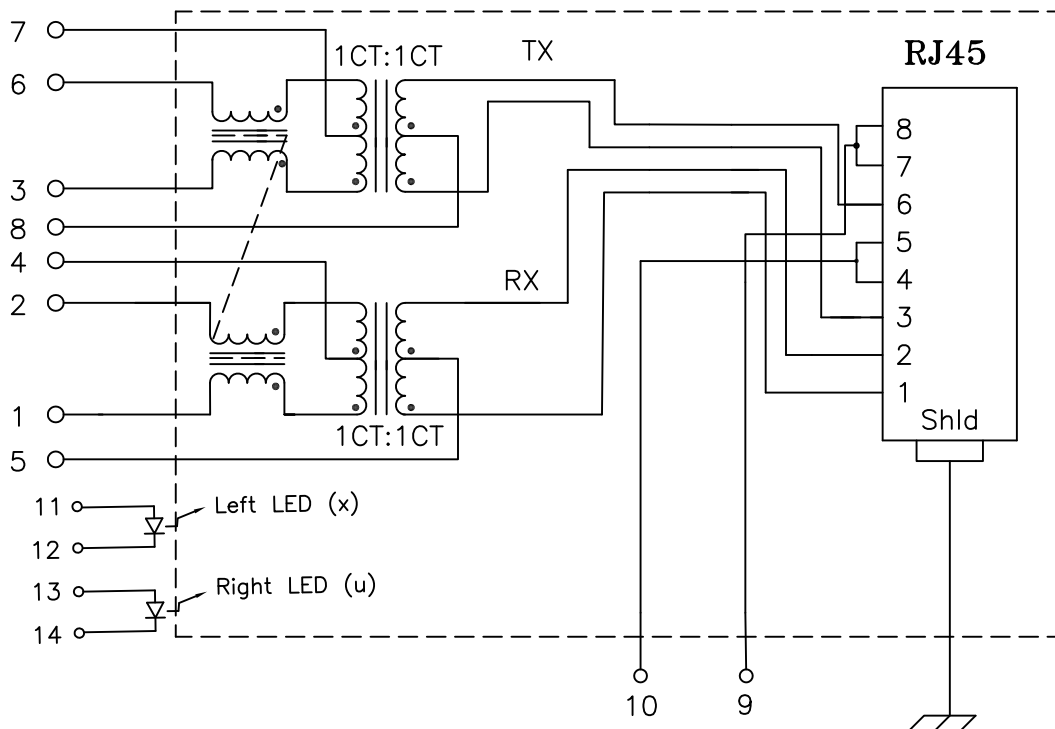


Schematic:



Electrical Specifications: @25°C

Isolation Voltage: 2250 Vdc (Input to Output)
 Isolation Voltage: 500 Vrms (P1+2+4 to P3+6+7)
 Isolation Voltage: 500 Vrms (P9+10 to J1+3 & P8)
 Isolation Voltage: 500 Vrms (P9 to P10)
 Turns Ratio: TX 1CT:1CT ±3% RX 1CT:1CT ±3%
 OCL: 350uH Minimum @100KHz 100mV 11mADC
 Insertion Loss: -1.2dB Max @1-100 MHz
 Return Loss: 1-30MHz 40MHz 50MHz 60-80MHz

-16dB -14dB -13dB -12dB (TYP)
 Differential to Common Mode Rejection:

	30MHz	60MHz	100MHz
	-50dB	-43dB	-35dB (Min)
Cross Talk:	30MHz	60MHz	100MHz
	-43dB	-37dB	-33dB (Min)

DC Current: 720mA through the xfmr center taps.
 DC Current: 1.5A/pin, J4,5,7&8.
 Q: 5 Min @100KHz 0.1V

Notes:

- Solderability: Leads shall meet MIL-STD-202G, Method 208H for solderability.
- Flammability: UL94V-0
- ASTM oxygen index: > 28%
- UL Recognized Component: File Number E165866
- Operating Temperature Range: All listed parameters are to be within tolerance from -40°C to +85°C
- Storage Temperature Range: -55°C to +125°C
- Aqueous wash compatible
- Electrical and mechanical specifications 100% tested

DOC. REV: A/1

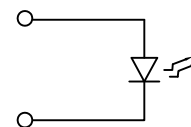
PRELIMINARY

Complete the Combo P/N as follows:

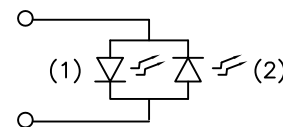
Replace 'x' & 'u' in the part number with one of the LED color letters:

Y=Yellow 'x' = Left LED Color
 G=Green 'u' = Right LED Color
 A=Amber
 R=Red
 N=Yellow(1)/Green(2) Bicolor
 M=Green(1)/Yellow(2) Bicolor
 C=Green(1)/Amber(2) Bicolor

Single Color LED:



Bi-Color LED:



XFMRs Inc.
 www.XFMRs.com

Title: **1x4 Tab Up POE+ COMBO**

UNLESS OTHERWISE SPECIFIED

P/N: XFVOIP5EP-CTGxu4-4M

REV. A

TOLERANCES:
 .xxx ±0.010

DWN.

Yuan

Jun-16-14

Dimensions in Inch

CHK.

YK Liao

Jun-16-14

SHEET 1 OF 2

APP.

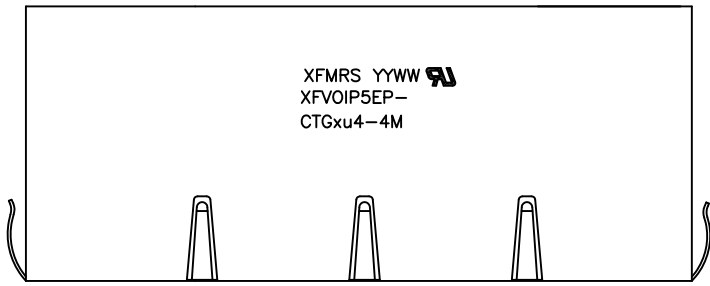
BSJ

Jun-16-14

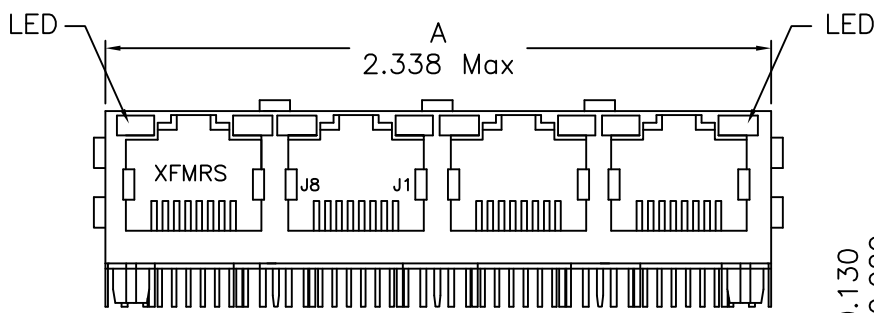
PROPRIETARY:

Document is the property of XFMRs Group & is not allowed to be duplicated without authorization.

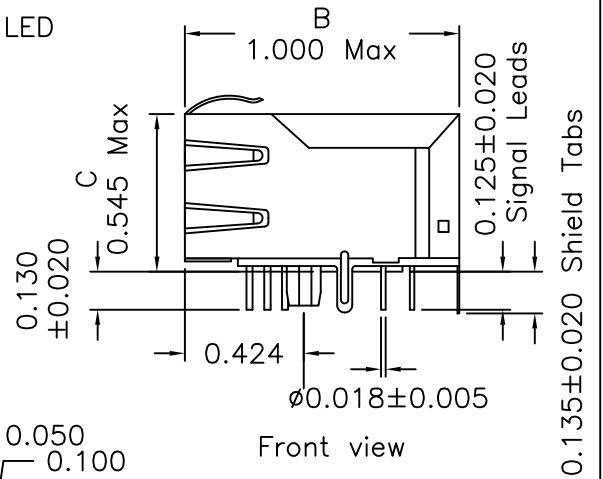
Mechanical Dimensions: (FOR CTGxu4-4M)



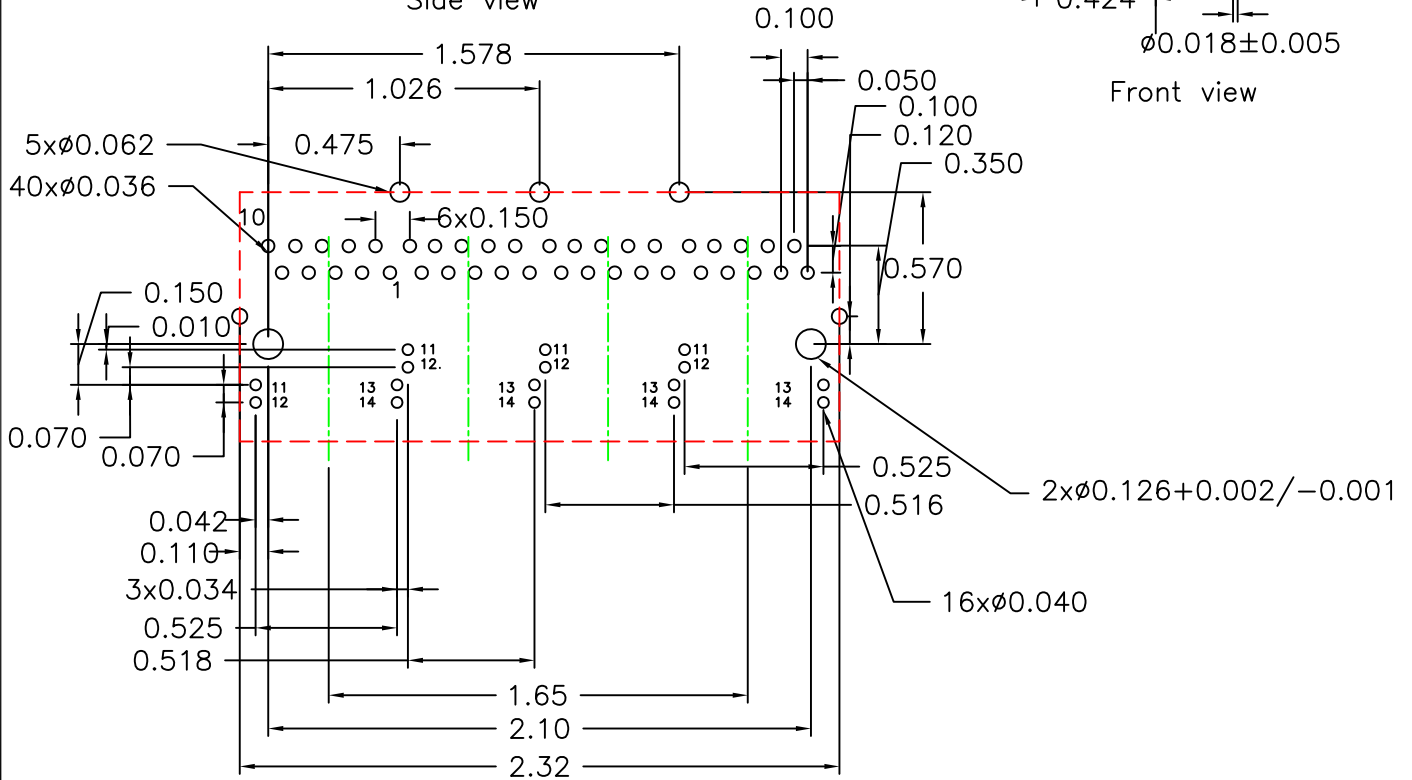
Top view



Side view



Front view



Four Port Suggested Footprint: (Top View)

DOC REV: A/1

XFMR5 Inc
www.XFMR5.com

Title: "1" FOUR PORT COMBO
TAB UP

UNLESS OTHERWISE SPECIFIED
TOLERANCES:
.xxx ±0.010
Dimensions in Inch

P/N: XFVOIP5EP-CTGxu4-4M

REV. A

DWN.

Yuan

Jun-16-14

CHK.

YK Liao

Jun-16-14

APP.

BSJ

Jun-16-14

PROPRIETARY

Document is the property of XFMR5 Group & is not allowed to be duplicated without authorization.

SHEET 2 OF 2