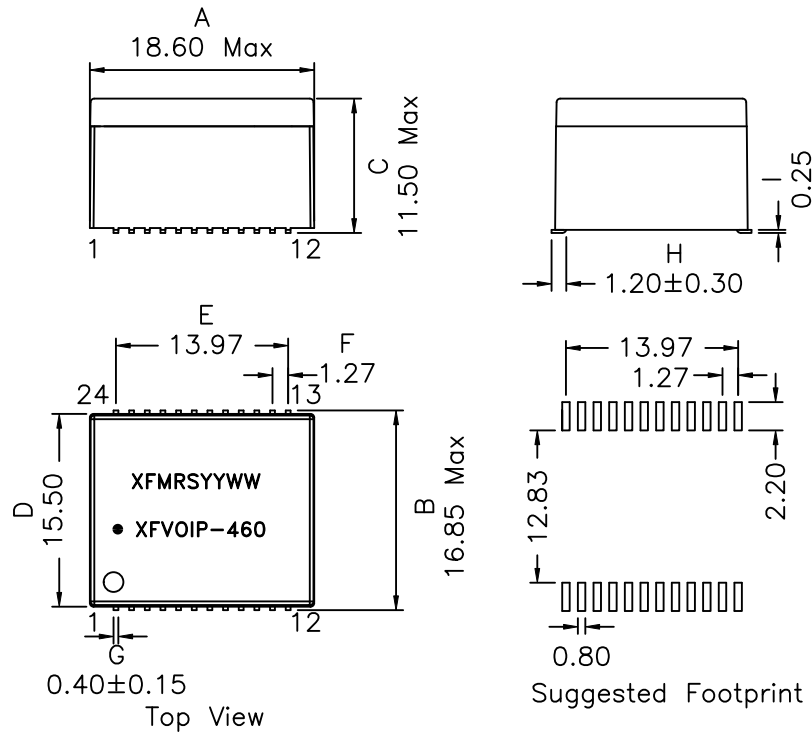
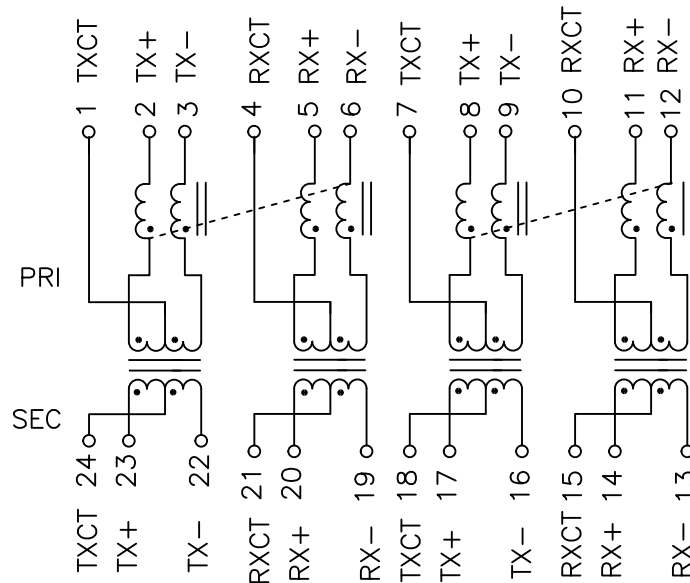


1. Mechanical Dimensions:



2. Schematic:



DOC. REV: B/1

3. Electrical Specifications: @25°C

HIPOT: 1500Vrms

OCL: 350uH Min @100KHz 0.1V 35mAdc

Q: 5 Min @100KHz 100mV

Pri DCR: 0.6 Ohms Max

Sec DCR: 0.5 Ohms Max

Cw/w: 45pF Max @100KHz 0.1V

URNS RATIO: (PRI/SEC) 1CT:1CT ±2%

Insertion Loss:

@0.1–100MHz 1.0dB Max

@100–125MHz 1.2dB Max

Return Loss:

@1–40MHz 18dB Typ

@40–50MHz 16dB Typ

@50–80MHz 12dB Typ

@80–100MHz 10dB Typ

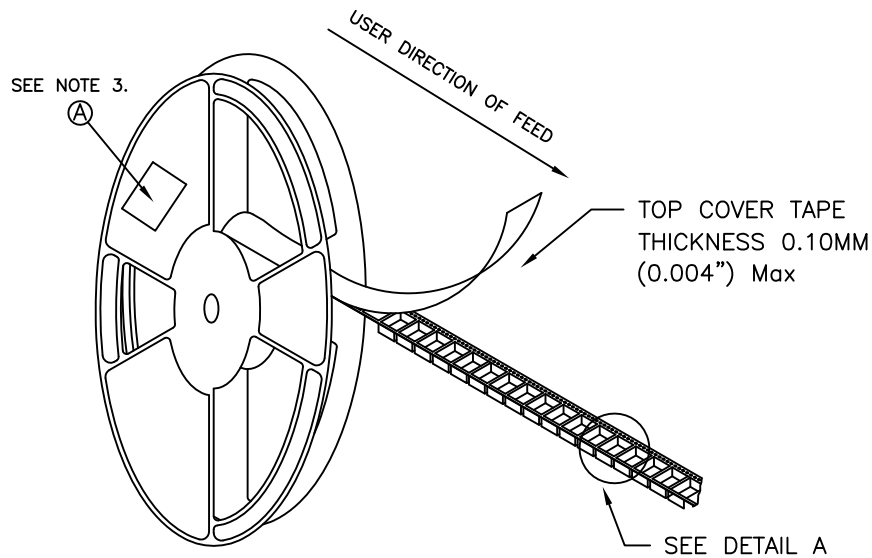
Balanced DC Line Current: 1.0A Max @57Vdc continuous
(each SEC CT)

Notes:

- Solderability: Leads shall meet MIL-STD-202G, Method 208H for solderability.
- Flammability: UL94V-0
- ASTM oxygen index: > 28%
- Insulation System: Class F 155°C. UL file E151556
- Operating Temperature Range: -40°C to +85°C
- Storage Temperature Range: -40°C to +85°C
- Aqueous wash compatible
- SMD Lead Coplanarity: ±0.004"(0.102mm)
- Electrical and mechanical specifications 100% tested
- RoHS Compliant Component
- Recommended IR Reflow peak temp of 250C Max.

XFMR[®] www.XFMR.com	Title: 100W POE XFMR		
	UNLESS OTHERWISE SPECIFIED TOLERANCES:		REV. B
	.xx ±0.25	P/N: XFVOIP-460	May-11-21
	Dimensions in mm	DWN. Yu	May-11-21
SHEET 1 OF 1	CHK. YK Liao	APP. TCH	May-11-21

TAPE AND REEL SPECIFICATION:

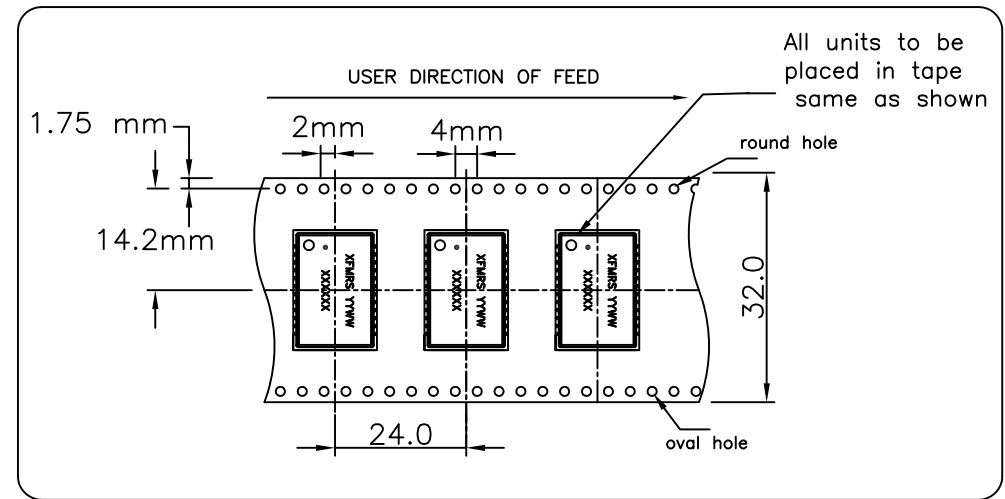


REEL AND TAPE ORIENTATION
13" REEL DIAMETER

NOTES:

- 1) PROCESS IN ACCORDANCE WITH EIA-481-2 STANDARDS
 - * TAPE LEADER DIMENSION 15.30" MIN.
 - * TAPE TRAILER DIMENSION 6.30" MIN.
- 2) PARTS SHOULD BE PACKAGED IN ACCORDANCE WITH ESD GUIDELINES IN EIA-541.
- 3) REEL LABEL: 'A' * PART NUMBER
 - * QUANTITY
 - * DATE CODE
- 4) 180PCS PER 13" REEL

DETAIL A



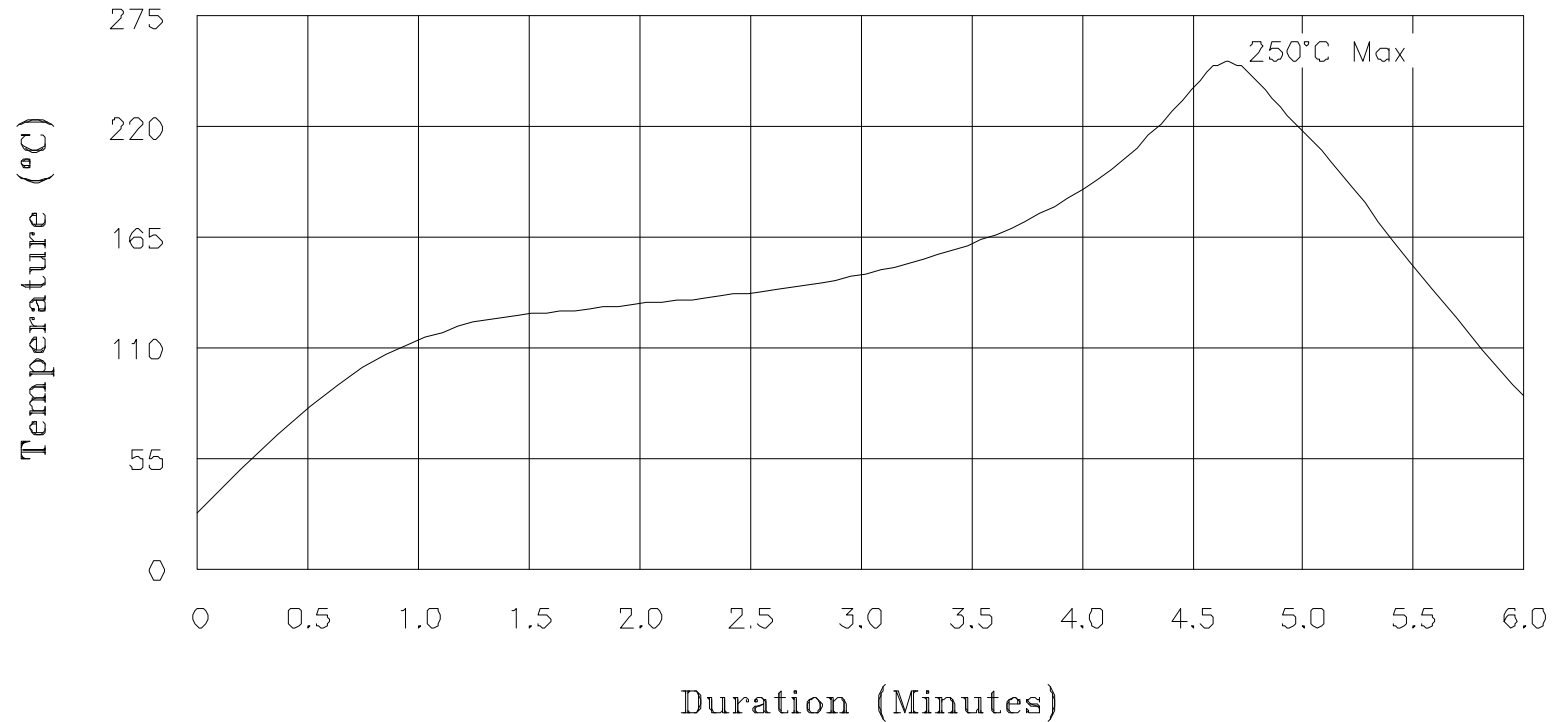
All units to be placed in tape same as shown

DOC. REV. A/1

XFMR5 Inc	Title: T&R SPEC		
	UNLESS OTHERWISE SPECIFIED TOLERANCES: .xxs ±xxxxxx	P/N: XF10G-13CPOL	REV:A
	Dimensions in mm	DWN. Kong	Jul-31-19
	SHT 1 OF 1	CHK. YK Liao	Jul-31-19
		APP. BSJ	Jul-31-19

XFMRs®

Recommended Infrared Reflow Temperature Profile for Select Parts



NOTES: Maximum duration at 250°+0/-5° shall be 10-15 seconds.
 Maximum duration above 217° shall be 50-120 seconds.
 ALL Temperatures refer to topside of the package, measured on the package body surface.

XFMRs® www.XFMRs.com UNLESS OTHERWISE SPECIFIED TOLERANCES: N/A	Title: IR REFLOW CHART (250°C)		
	P/N: N/A		REV. A
SHEET 1 OF 1	DWN.	Juan Mao	Dec-20-06
	CHK.	YK Liao	Dec-20-06
	APP.	Joe Huff	Dec-20-06