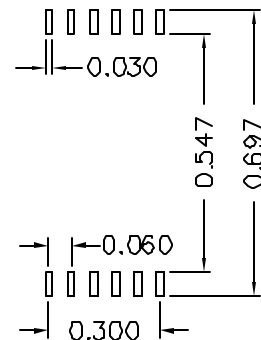
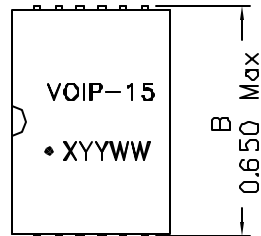
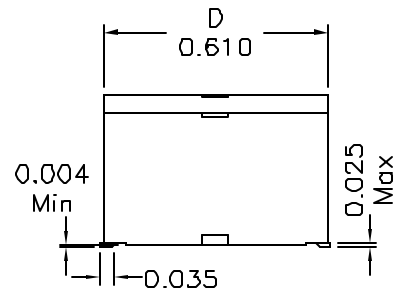
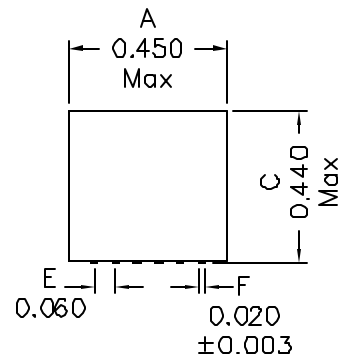


1. Mechanical Dimensions:

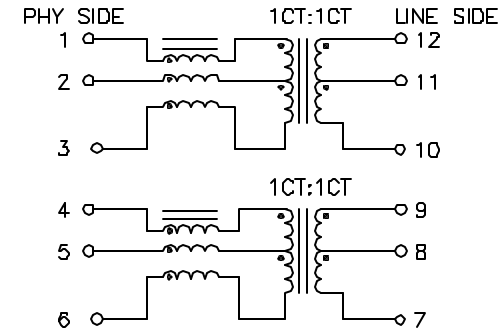


SUGGESTED PAD LAYOUT

Notes:

1. Solderability: Leads shall meet MIL-STD-202G, Method 208H for solderability.
2. Flammability: UL94V-0
3. ASTM oxygen index: > 28%
4. Insulation System: Class F 155°C. UL file E151558
5. Operating Temperature Range: All listed parameters are to be within tolerance from -40°C to +85°C
6. Storage Temperature Range: -55°C to +125°C
7. Aqueous wash compatible
8. SMD Lead Coplanarity: $\pm 0.004^{\circ}$ (0.102mm)
9. Electrical and mechanical specifications 100% tested
10. RoHS Compliant Component

2. Schematic:



3. Electrical Specifications: @25°C

Turns Ratio: P{1-2-3}:(12-11-10)=1CT:1CT $\pm 2\%$

P{4-5-6}:(9-8-7)=1CT:1CT $\pm 2\%$

Isolation Voltage: 1500 Vrms or 2250 Vdc Pri to Sec

OCL: 350uH Min @100KHz, 100mV 8mADC

Pri Q: 18 Min @100KHz, 100mV

Insertion Loss (0.3MHz-100MHz):1.0dB Max

(100MHz-125MHz):1.2dB Max

Return Loss @100 OHM $\pm 15\%$ (0.5MHz-40MHz):18dB

(40MHz-100MHz):12-20Log(f/80MH)dB Min

Crosstalk(0.3MHz-100MHz):33-20Log(f/100MHz)dB Min

CM TO CM REJ(0.3MHz-100MHz):35dB Min

CM TO DM REJ(0.3MHz-100MHz): 35dB Min

Balanced DC Line Current: 700 mA Max @57Vdc continuous

1.2A Max @57Vdc for 200mS

DOC. REV: B/2

PROPRIETARY Document is the property of XFMRS Group & is not allowed to be duplicated without authorization.

XFMRS Inc www.XFMRS.com		Title: POE+ MAGNETICS	
UNLESS OTHERWISE SPECIFIED TOLERANCES: .xxx ± 0.010 Dimensions in Inch	P/N: XFVOIP-15		REV. B
	DWN.	Feng	Dec-05-11
SHEET 1 OF 1	CHK.	YK Liao	Dec-05-11
	APP.	Joe Huff	Dec-05-11