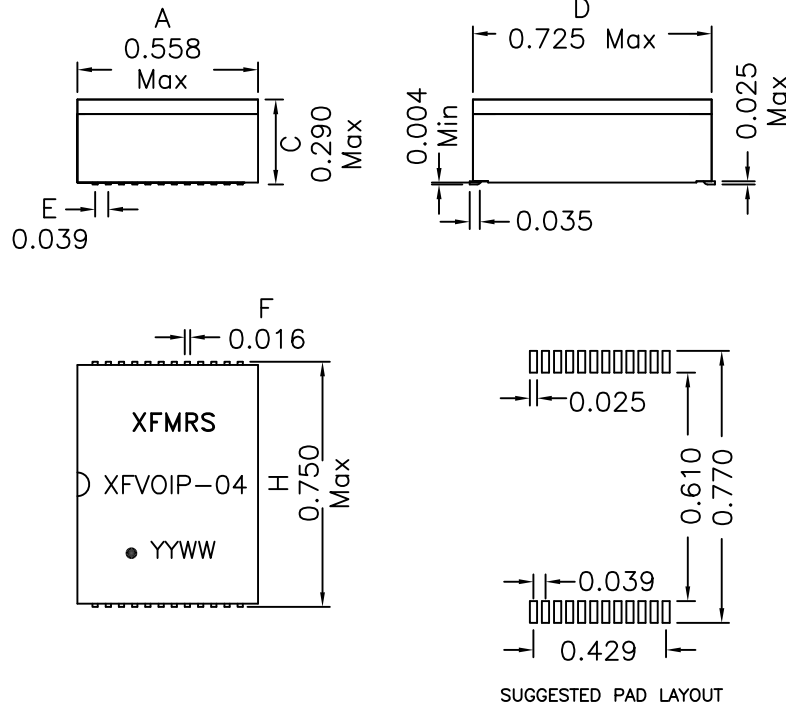
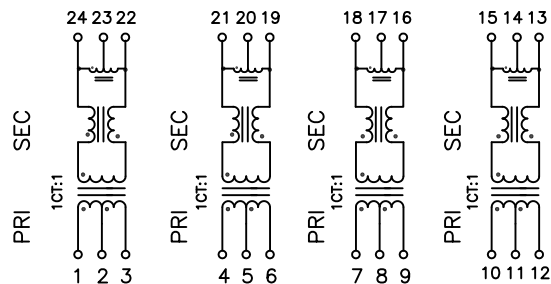


### 1. Mechanical Dimensions:



### 2. Schematic:



DOC. REV: C/2

### 3. Electrical Specifications: @25°C

- ISOLATION: 1500 Vrms
- INSERTION LOSS: -1.1dB Max @1MHz-100MHz
- PRI OCL: 350 uH Min @100KHz 100mV 8mADC
- PRI Q: 12 Min @100KHz 100mV
- RETURN LOSS: -16dB Min @1-30MHz
  - 14dB Min @40MHz
  - 13dB Min @50MHz
  - 12dB Min @60-80MHz
- Differential to Common Mode Rejection:
  - 43dB Min @30MHz
  - 37dB Min @60MHz
  - 33dB Min @100MHz
- Crosstalk: -43dB Min @30MHz
  - 37dB Min @60MHz
  - 33dB Min @100MHz

#### Notes:

1. Solderability: Leads shall meet MIL-STD-202G, Method 208H for solderability.
2. Flammability: UL94V-0
3. ASTM oxygen index: > 28%
4. Insulation System: Class F 155°C. UL file E151556
5. Operating Temperature Range: All listed parameters are to be within tolerance from -40°C to +85°C
6. Storage Temperature Range: -55°C to +125°C
7. Aqueous wash compatible
8. SMD Lead Coplanarity: ±0.004"(0.102mm)
9. Electrical and mechanical specifications 100% tested
10. RoHS Compliant Component

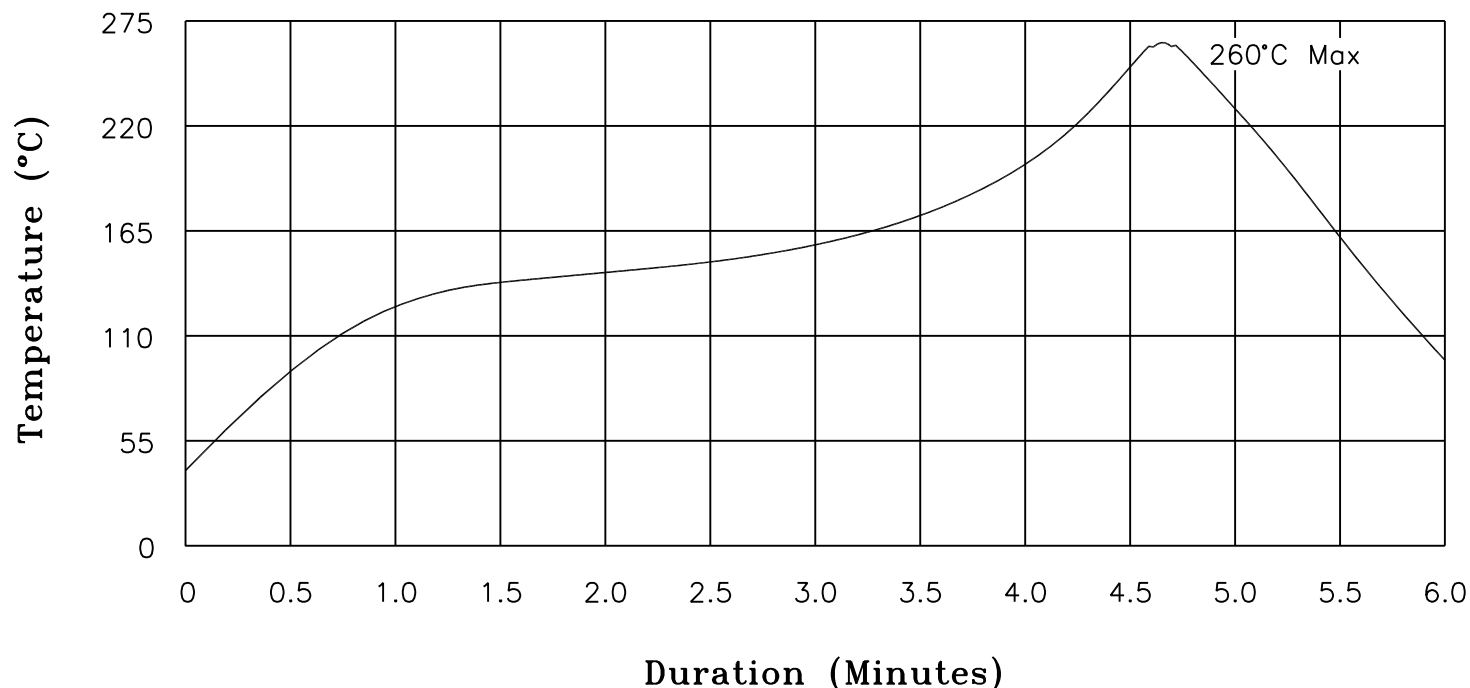
<b>XFMR5 Inc</b> www.XFMR5.com	Title: <b>VOICE OVER IP MAGNETICS</b>		
	UNLESS OTHERWISE SPECIFIED TOLERANCES: .xxx ±0.010 Dimensions in INCH		P/N: XFVOIP-04 REV. C
SHEET 1 OF 1	DWN.	Yuan	Oct-22-12
	CHK.	YK Liao	Oct-22-12
APP.	BSJ	Oct-22-12	

**PROPRIETARY**

Document is the property of XFMR5 Group & is not allowed to be duplicated without authorization.

# XFMRs

## Recommended Infrared Reflow Temperature Profile for RoHS Compliant Parts

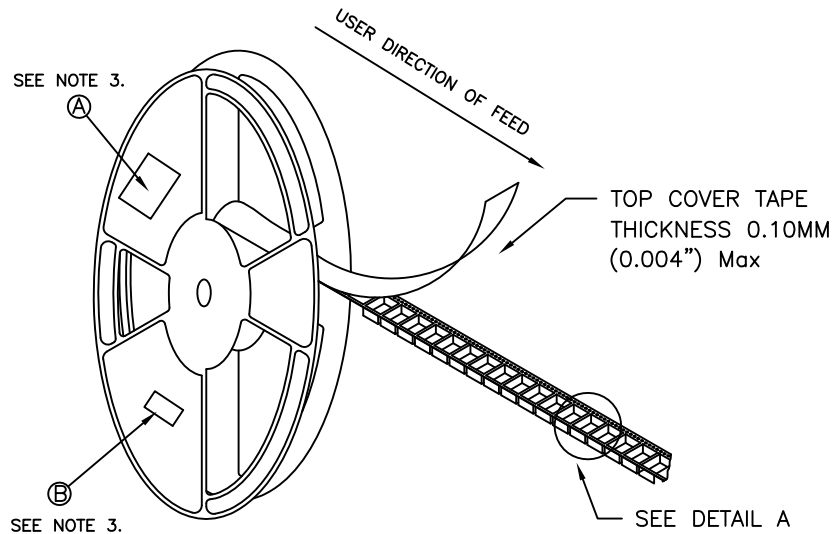


NOTES: Maximum duration at 260°+0/-5° with 10 seconds Max.  
 Maximum duration above 217° shall be 60-150 seconds.  
 ALL Temperatures refer to topside of the package, measured on the package body surface.

<b>XFMRs Inc</b> www.XFMRS.com	Title: <b>IR REFLOW CHART</b> <b>(RoHS Compliant parts)</b>		
	UNLESS OTHERWISE SPECIFIED TOLERANCES: N/A	P/N: N/A	REV. A
	DWN.	Juan Mao	Jan-16-05
	CHK.	YK Liao	Jan-16-05
SHEET 1 OF 1	APP.	MS	Jan-16-05

**PROPRIETARY** Document is the property of XFMRs Group & is not allowed to be duplicated without authorization.

**TAPE AND REEL SPECIFICATION:**



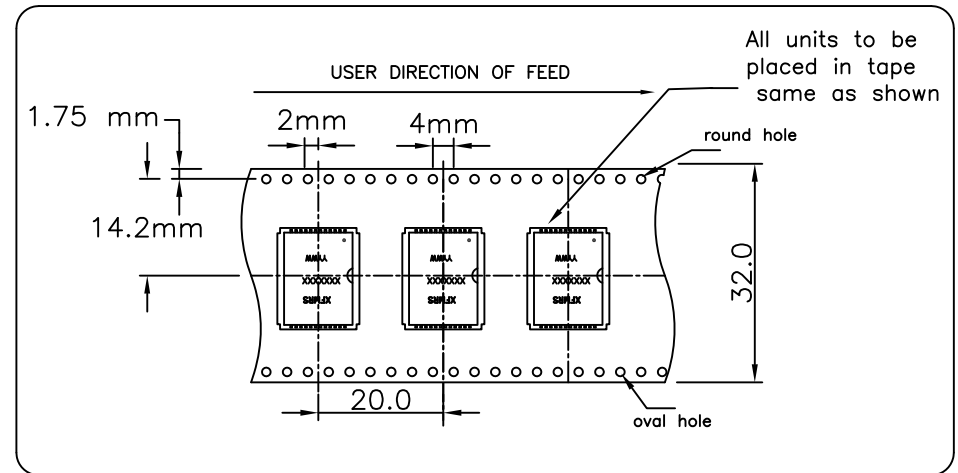
REEL AND TAPE ORIENTATION

**13" REEL DIAMETER**  
**For FG: XFATM9D2**

**NOTES:**

- 1) PROCESS IN ACCORDANCE WITH EIA-481-2 STANDARDS
  - \* TAPE LEADER DIMENSION 15.30" MIN.
  - \* TAPE TRAILER DIMENSION 6.30" MIN.
- 2) PARTS SHOULD BE PACKAGED IN ACCORDANCE WITH ESD GUIDELINES IN EIA-541.
- 3) REEL LABEL: 'A' \* PART NUMBER
  - \* QUANTITY
  - \* DATE CODE
 'B' - ANTI-STATIC CAUTION LABEL
- 4) 400PCS PER 13" REEL

DETAIL A



DOC REV: A/1

<b>XFMR5 Inc</b>	Title: T&R SPEC		
	UNLESS OTHERWISE SPECIFIED		P/N: XFATM9D2
	TOLERANCES:		REV:A
	.xxs ±xxxxx		
Dimensions in mm		DWN.	Kong
SHT 2 OF 2		CHK.	YK Liao
		APP.	Joe Huff
			Jun-06-12
			Jun-06-12
			Jun-06-12

**PROPRIETARY**

Document is the property of XFMR5 Group & is allowed to be duplicated without authorization.