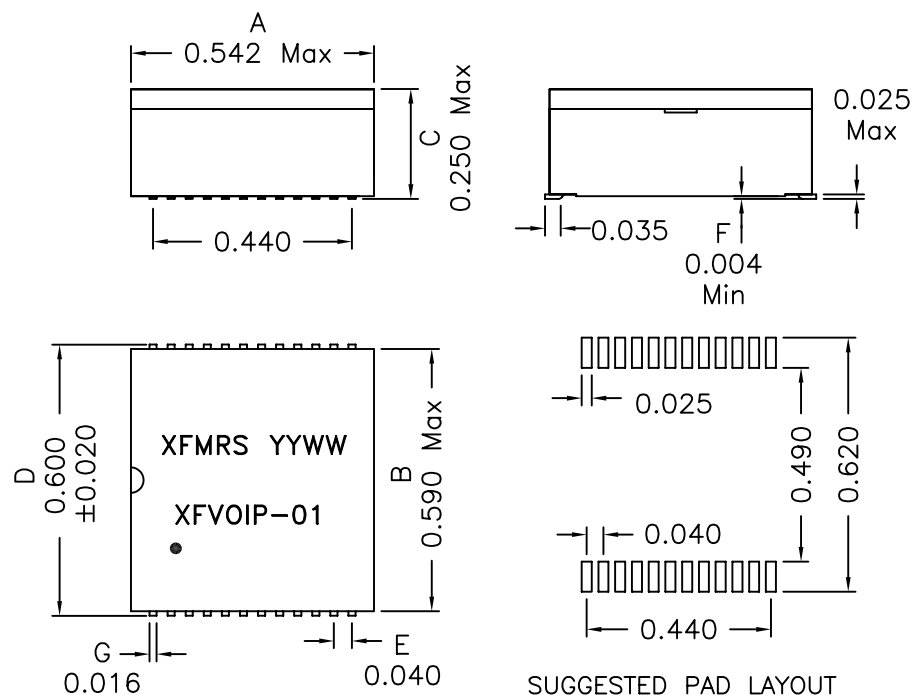


1. Mechanical Dimensions:



3. Electrical Specifications: @25°C

ISOLATION: 1500 Vrms

Turns Ratio: 1CT:1CT ±3% (TXIN:TXO)

Turns Ratio: 1CT:1CT ±3% (RXIN:RXO)

PRI OCL: 350 uH Min @100KHz 100mV 8mADC

PRI LL: 0.25 uH Max @100KHz 100mV Short SEC

PRI CW/W: 25pF Max @100KHz 100mV

DCR: Pri & Sec 1.0 Ohms Max

INSERTION LOSS: -1.5dB Min @100KHz-100MHz

RETURN LOSS: 16dB Min @2-30MHz

10dB Min @60-80MHz

Crosstalk: 65dB Min @1MHz

60dB Min @30MHz

50dB Min @60MHz

45dB Min @100MHz

Common to Differential Mode Rejection:

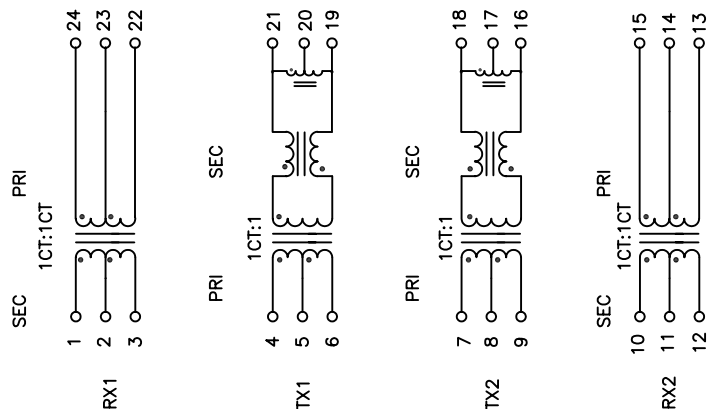
45dB Min @100KHz-100MHz

Common to Common Mode Rejection:

45dB Min @100KHz-100MHz

Q: 5 Min @10KHz 50mV

2. Schematic:



Notes:

1. Solderability: Leads shall meet MIL-STD-202G, Method 208H for solderability.
2. Flammability: UL94V-0
3. ASTM oxygen index: > 28%
4. Insulation System: Class F 155°C. UL file E151556
5. Operating Temperature Range: All listed parameters are to be within tolerance from -40°C to +85°C
6. Storage Temperature Range: -55°C to +125°C
7. Aqueous wash compatible
8. SMD Lead Coplanarity: ±0.004"(0.102mm)
9. Electrical and mechanical specifications 100% tested
10. RoHS Compliant Component

DOC. REV: B/1

XFMRS Inc www.XFMRS.com	Title: VOICE OVER IP MAGNETICS		
	UNLESS OTHERWISE SPECIFIED TOLERANCES:		
.xxx ±0.010	P/N: XFVOIP-01	REV. B	
Dimensions in INCH	DWN.	Feng	Oct-12-11
	CHK.	YK Liao	Oct-12-11
SHEET 1 OF 1	APP.	BW	Oct-12-11

PROPRIETARY

Document is the property of XFMRS Group & is not allowed to be duplicated without authorization.