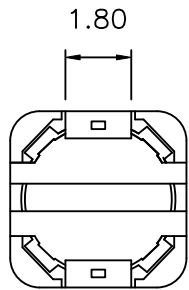
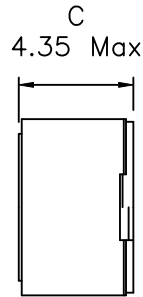
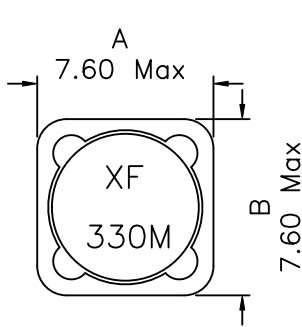
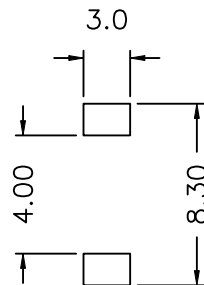


1. Dimensions:

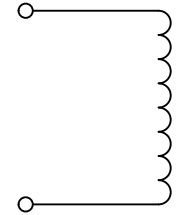


(BOTTOM VIEW)



(SUGGESTED PAD LAYOUT)

2. Schematic:



3. Electrical Specs:

OCL: 33.0uH ±20% @100KHz, 0.25V

DC Res.: 0.143 Ohms Typ

Isat: 1.73Adc (Based on 30% Drop in OCL)

Irms: 1.41A (Based on 40°C Temp Rise)

V-uS: 18.1 Typ

Notes:

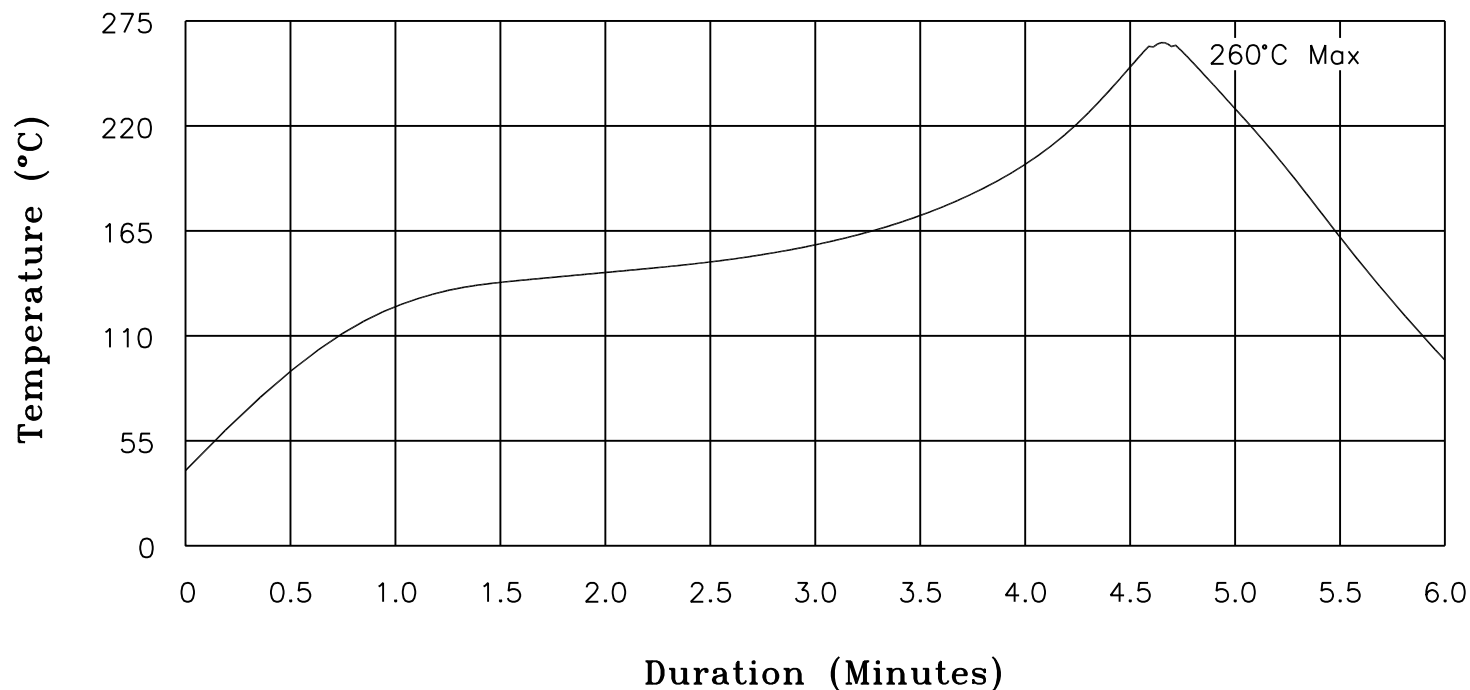
1. Solderability: Leads shall meet MIL-STD-202G, Method 208H for solderability.
2. Flammability: UL94V-0
3. ASTM oxygen index: > 28%
4. Insulation System: Class F 155°C. UL file E151556
5. Operating Temperature Range: All listed parameters are to be within tolerance from -40°C to +85°C
6. Storage Temperature Range: -55°C to +125°C
7. Aqueous wash compatible
8. SMD Lead Coplanarity: ±0.004"(0.102mm)
9. Electrical and mechanical specifications 100% tested
10. RoHS Compliant Component
11. AEC-Q200 Certified Product

DOC. REV: A/6

XFMRs Inc www.XFMRs.com	Title: SMD Inductor	
	UNLESS OTHERWISE SPECIFIED TOLERANCES: .xx ±0.30 Dimensions in MM Scale 2.5:1 SHT 1 OF 1	P/N: XFTPRH74-330M DWN. 刘鹏 CHK. 李小锋 APP. AM

XFMRs

Recommended Infrared Reflow Temperature Profile for RoHS Compliant Parts



NOTES: Maximum duration at 260°+0/-5° with 10 seconds Max.
 Maximum duration above 217° shall be 60-150 seconds.
 ALL Temperatures refer to topside of the package, measured on the package body surface.

XFMRs Inc www.XFMRs.com	Title: IR REFLOW CHART (RoHS Compliant parts)		
	UNLESS OTHERWISE SPECIFIED TOLERANCES: N/A	P/N: N/A	REV. A
	DWN.	Juan Mao	Jan-16-05
	CHK.	YK Liao	Jan-16-05
SHEET 1 OF 1	APP.	MS	Jan-16-05

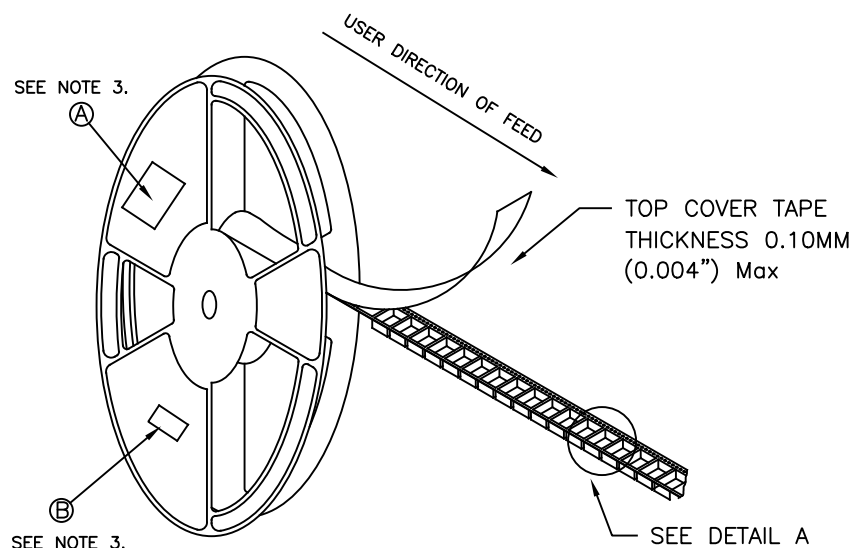
PROPRIETARY

Document is the property of XFMRs Group & is not allowed to be duplicated without authorization.

TAPE AND REEL SPECIFICATION:

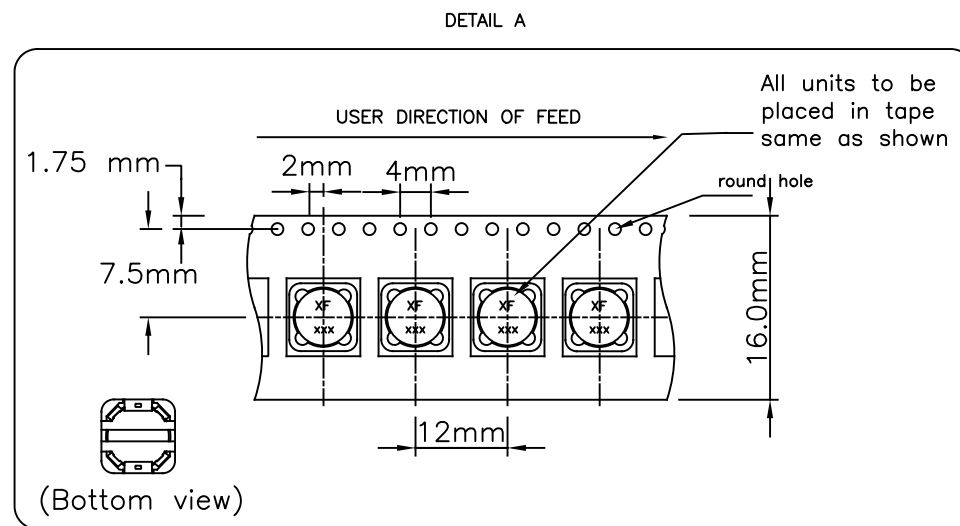
NOTES:

- 1) PROCESS IN ACCORDANCE WITH EIA-481-2 STANDARDS
 - * TAPE LEADER DIMENSION 15.30" MIN.
 - * TAPE TRAILER DIMENSION 6.30" MIN.
- 2) PARTS SHOULD BE PACKAGED IN ACCORDANCE WITH ESD GUIDELINES IN EIA-541.
- 3) REEL LABEL: 'A' * PART NUMBER
 - * QUANTITY
 - * DATE CODE
- 4) 1000PCS PER 13" REEL



REEL AND TAPE ORIENTATION

13" REEL DIAMETER



DOC. REV.A/2

XFMR5 [®] www.XFMRS.com	Title: T&R SPEC		
	P/N: XFTPRH74 SERIES		REV: A
UNLESS OTHERWISE SPECIFIED TOLERANCES: .xxs ±xxxxx Dimensions in mm	DWN.	Kong	Mar-12-20
	CHK.	YK Liao	Mar-12-20
	APP.	GL	Mar-12-20
SHT 2 OF 2			