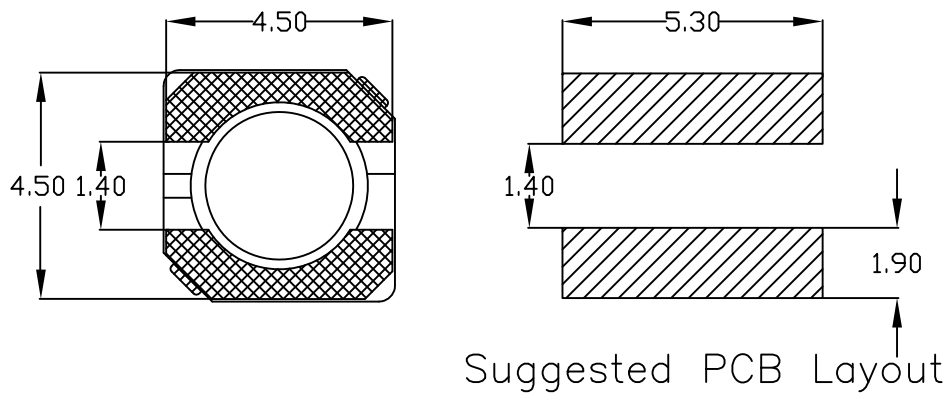
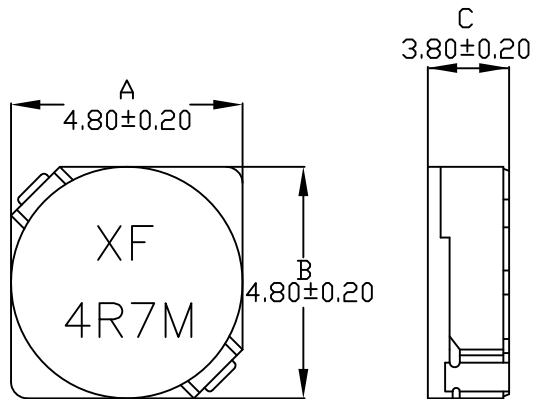


1. Mechanical Dimensions:

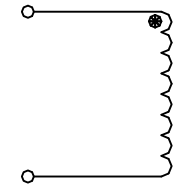


Notes:

1. Solderability: Leads shall meet MIL-STD-202G, Method 208H for solderability.
2. Flammability: UL94V-0
3. ASTM oxygen index: > 28%
4. Insulation System: Class F 155°C. UL file E151556
5. Operating Temperature Range: All listed parameters are to be within tolerance from -40°C to +85°C
6. Storage Temperature Range: -55°C to +125°C
7. Aqueous wash compatible
8. SMD Lead Coplanarity: ±0.004"(0.102mm)
9. Electrical and mechanical specifications 100% tested
10. RoHS Compliant Component

DOC. REV: A/2

2. Schematic:



3. Electrical Specification:

OCL: 4.7uH±20% @100KHz 0.1V

Q: 8 @100KHz 0.1V

DCR: 0.052 Ohms Max

Irms: 2.2A Max (Based on 40°C Temp Rise)

Isat: 3.2Adc Typ (Based on 35% drop in OCL)

SRF: 44MHz Min

PROPRIETARY

Document is the property of XFMRs Group & is not allowed to be duplicated without authorization.

XFMRs Inc. www.XFMRs.com	Title: INDUCTOR		
	UNLESS OTHERWISE SPECIFIED		P/N: XFTPRH4D38-4R7M
TOLERANCES: .xx ±0.25 Dimensions in MM	DWN.	Feng	Aug-21-12
	CHK.	YK Liao	Aug-21-12
SHEET 1 OF 2	APP.	BSJ	Aug-21-12