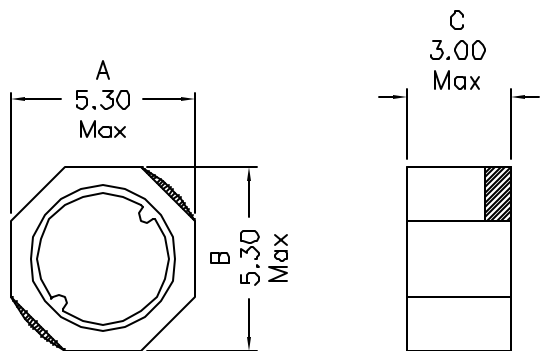
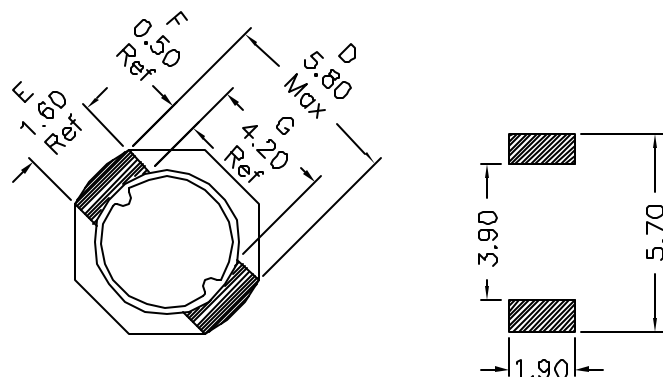


1. Mechanical Dimensions:



Top view



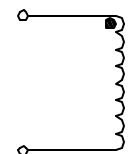
Bottom view

Notes:

1. Solderability: Leads shall meet MIL-STD-202G, Method 208H for solderability.
2. Flammability: UL94V-0
3. ASTM oxygen index: > 28%
4. Insulation System: Class F 155°C. UL file E151556
5. Operating Temperature Range: All listed parameters are to be within tolerance from -40°C to +85°C
6. Storage Temperature Range: -55°C to +125°C
7. Aqueous wash compatible
8. SMD Lead Coplanarity: ±0.004" (0.102mm)
9. Electrical and mechanical specifications 100% tested
10. RoHS Compliant Component

DOC REV: A/1

2. Schematic:



3. Electrical Specifications: @25°C

OCL: 6.8uH ± 20% @ 100KHz 0.25V
 Q: 20 Min @ 100KHz 0.25V
 DCR: 0.068 Ohms Max
 Rated Current: 1.51A

XFMRs Inc www.XFMRs.com	Title: SMD INDUCTOR		
	UNLESS OTHERWISE SPECIFIED	P/N: XFTPRH4D28C-6R8M	REV. A
TOLERANCES: .xx ±0.25	DWN.	Feng	Nov-05-10
Dimensions in MM	CHK.	YK Liao	Nov-05-10
SHEET 1 OF 1	APP.	Joe Huff	Nov-05-10