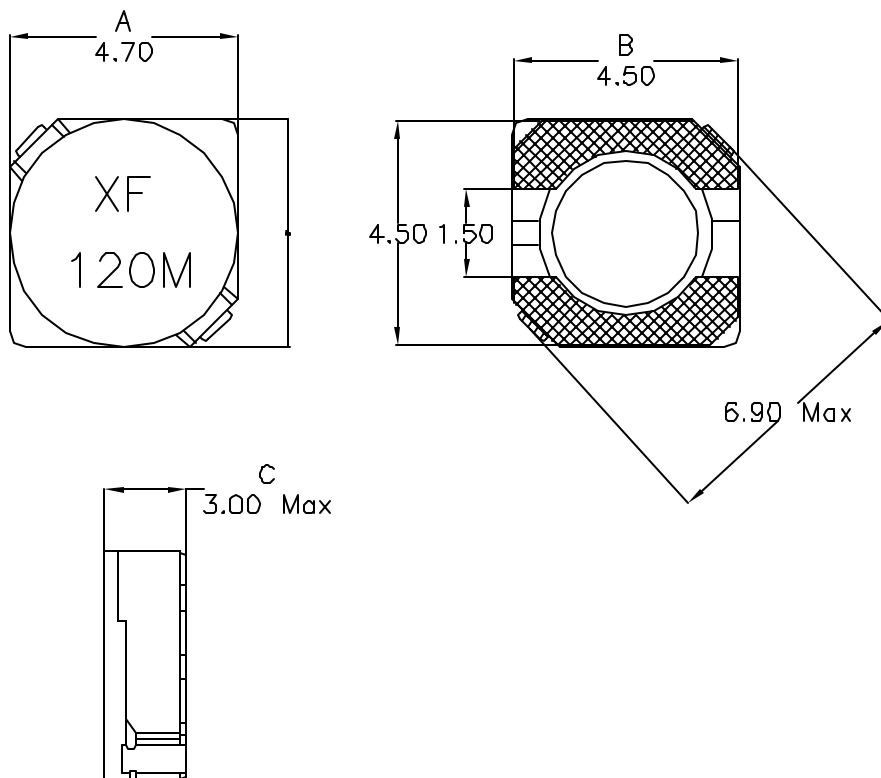
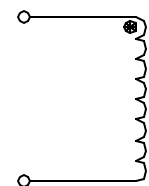


### 1. Mechanical Dimensions:



### 2. Schematic:



### 3. Electrical Specification:

OCL: 12uH±20% @100KHz, 0.1V

DCR: 0.1316 Ohms Typ

IDC: 0.84Adc (Based on 35% Drop in OCL)

#### Notes:

1. Solderability: Leads shall meet MIL-STD-202G, Method 208H for solderability.
2. Flammability: UL94V-0
3. ASTM oxygen index: > 28%
4. Insulation System: Class F 155°C, UL file E15155B
5. Operating Temperature Range: All listed parameters are to be within tolerance from -40°C to +85°C
6. Storage Temperature Range: -55°C to +125°C
7. Aqueous wash compatible
8. SMD Lead Coplanarity: ±0.004"(0.102mm)
9. Electrical and mechanical specifications 100% tested
10. RoHS Compliant Component

DOC. REV: A/1

<b>XFMRs Inc.</b> www.XFMRS.com	Title: INDUCTORS		
	UNLESS OTHERWISE SPECIFIED TOLERANCES: .xx ±0.25 Dimensions in MM	P/N: XFTPRH4D28-120M	REV. A
SHEET 1 OF 1	DWN.	Juan Mao	Jan-08-07
	CHK.	YK Liao	Jan-08-07
	APP.	MS	Jan-08-07