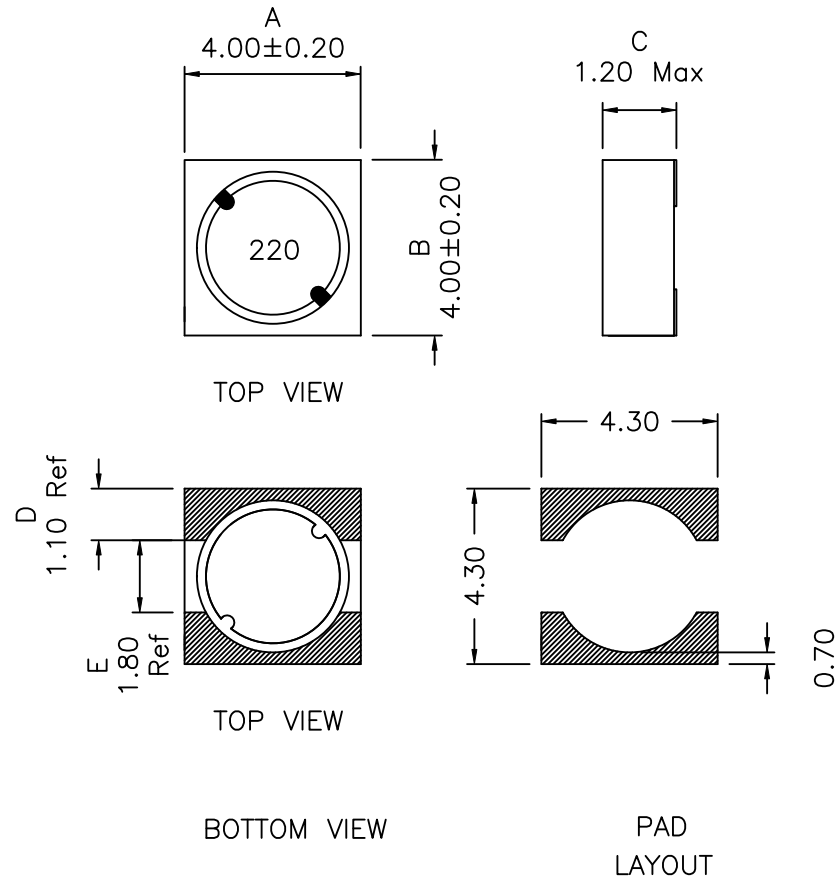
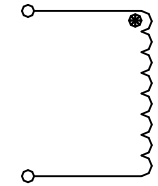


1. Mechanical Dimensions:



2. Schematic:



3. Electrical Specification:

OCL: $22\mu\text{H} \pm 20\%$ @100KHz 0.1V

DCR: 0.750 Ohms Max

Isat: 0.74A (Based on 10% typ drop in OCL)

0.78A (Based on 20% typ drop in OCL)

0.79A (Based on 30% typ drop in OCL)

Irms: 0.70A (Based on 40°C Temp rise)

SRF: 25MHz Typ

Notes:

- Solderability: Leads shall meet MIL-STD-202G, Method 208H for solderability.
- Flammability: UL94V-0
- ASTM oxygen index: > 28%
- Insulation System: Class F 155°C. UL file E151556
- Operating Temperature Range: All listed parameters are to be within tolerance from -40°C to +85°C
- Storage Temperature Range: -55°C to +125°C
- Aqueous wash compatible
- SMD Lead Coplanarity: $\pm 0.004"$ (0.102mm)
- Electrical and mechanical specifications 100% tested
- RoHS Compliant Component

DOC. REV: A/2

XFMRs® www.XFMRS.com	Title: SHIELDED INDUCTOR		
	UNLESS OTHERWISE SPECIFIED TOLERANCES: .x $\pm 0.30\text{mm}$ Dimensions in mm	P/N: XFTPRH4012-220M	REV. A
SHEET 1 OF 1	DWN.	Juan Mao	Aug-01-24
	CHK.	YK Liao	Aug-01-24
	APP.	TCH	Aug-01-24