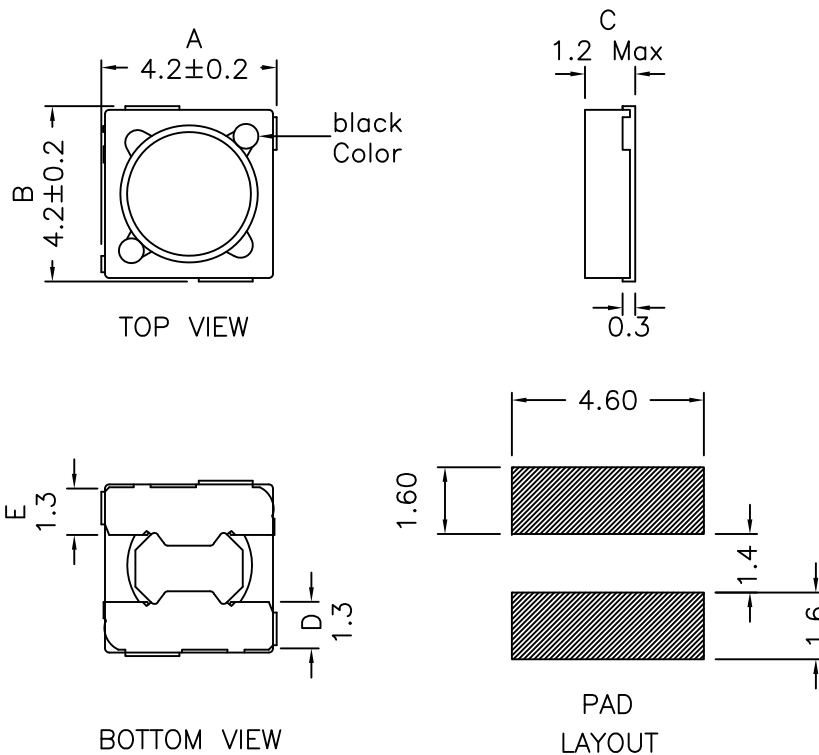
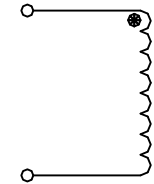


1. Mechanical Dimensions:



2. Schematic:



3. Electrical Specification: @25°C

OCL: 1.0uH±20% @100KHz 1V

DCR: 0.045 Ohms ±20%

Isat: 3.0Adc (Based on 35% drop in OCL)

Irms: 2.0Adc (Based on 30°C Typ Temp Rise)

SRF: 180MHz Typ

Q: 8 Min @100KHz 0.1V

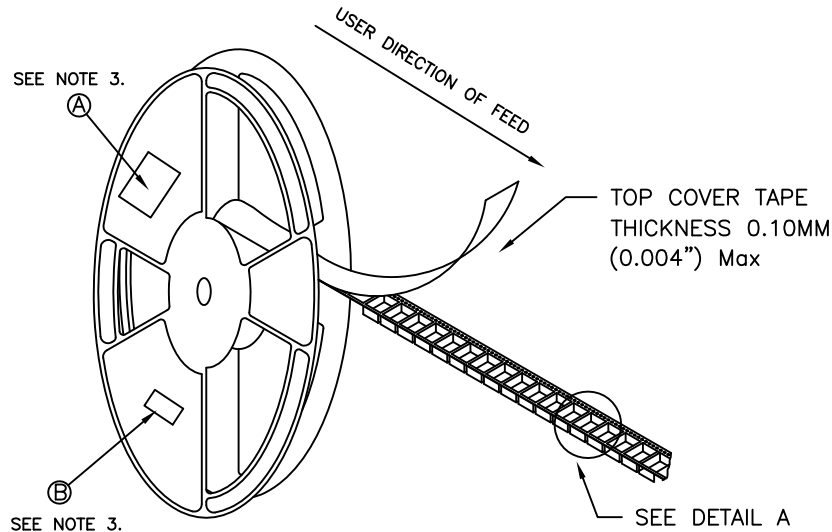
Notes:

1. Solderability: Leads shall meet MIL-STD-202G, Method 208H for solderability.
2. Flammability: UL94V-0
3. ASTM oxygen index: > 28%
4. Insulation System: Class F 155°C. UL file E151556
5. Operating Temperature Range: All listed parameters are to be within tolerance from -40°C to +85°C
6. Storage Temperature Range: -55°C to +125°C
7. Aqueous wash compatible
8. SMD Lead Coplanarity: ±0.004"(0.102mm)
9. Electrical and mechanical specifications 100% tested
10. RoHS Compliant Component
11. Outsourced item processed & controlled under XFMRS QA system

DOC. REV: A/4

XFMRS Inc www.XFMRS.com	Title: SHIELDED INDUCTOR		
	UNLESS OTHERWISE SPECIFIED	P/N: XFTPRH4012-1ROM	REV. A
TOLERANCES: .xx ±0.30	DWN.	Yuan	Apr-23-15
Dimensions in MM	CHK.	YK Liao	Apr-23-15
SHEET 1 OF 1	APP.	DDC	Apr-23-15

TAPE AND REEL SPECIFICATION:

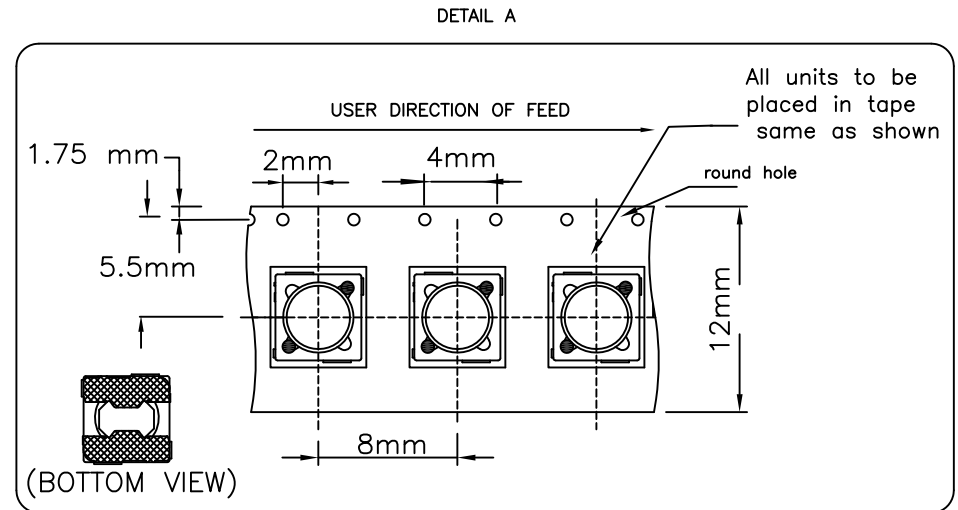


REEL AND TAPE ORIENTATION

13" REEL DIAMETER

NOTES:

- 1) PROCESS IN ACCORDANCE WITH EIA-481-2 STANDARDS
 - * TAPE LEADER DIMENSION 15.30" MIN.
 - * TAPE TRAILER DIMENSION 6.30" MIN.
- 2) PARTS SHOULD BE PACKAGED IN ACCORDANCE WITH ESD GUIDELINES IN EIA-541.
- 3) REEL LABEL: 'A' * PART NUMBER
 - * QUANTITY
 - * DATE CODE
 'B' - ANTI-STATIC CAUTION LABEL
- 4) 1000PCS PER 13" REEL



DOC. REV: A/1

XFMRs Inc	Title: T&R SPEC			
	UNLESS OTHERWISE SPECIFIED TOLERANCES: .xxs ±xxxxx Dimensions in mm	P/N: XFTPRH4012 Series		REV: A
		DWN.	Kong	Aug-12-12
		CHK.	YK Liao	Aug-12-12
SHT 1 OF 1	APP.	Joe Huff	Aug-12-12	

PROPRIETARY

Document is the property of XFMRs Group & is not allowed to be duplicated without authorization.