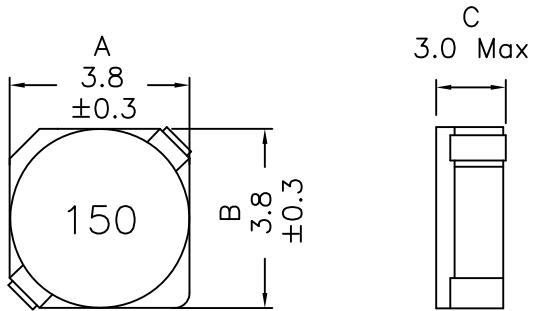
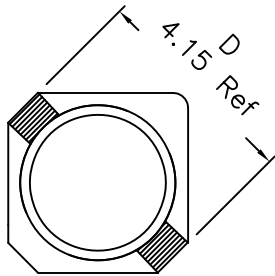


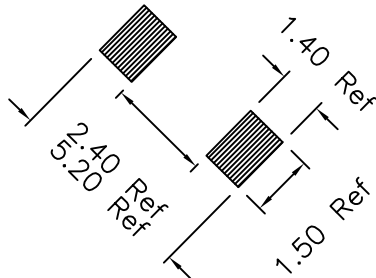
1. Mechanical Dimensions:



TOP VIEW

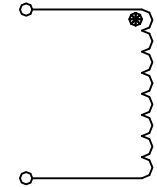


BOTTOM VIEW



PAD LAYOUT

2. Schematic:



3. Electrical Specification: @25C

OCL: 15uH±30% @100KHz 0.25V

Q: tbd Min @100KHz 0.25V

Isat: 0.90Adc (Based on 35% Drop in OCL)

Irms: 1.02A (Based on 40°C Temp Rise)

DCR: 0.213 Ohms Max

Notes:

1. Solderability: Leads shall meet MIL-STD-202G, Method 208H for solderability.
2. Flammability: UL94V-0
3. ASTM oxygen index: > 28%
4. Insulation System: Class F 155°C. UL file E151556
5. Operating Temperature Range: All listed parameters are to be within tolerance from -40°C to +85°C
6. Storage Temperature Range: -55°C to +125°C
7. Aqueous wash compatible
8. SMD Lead Coplanarity: ±0.004"(0.102mm)
9. Electrical and mechanical specifications 100% tested
10. RoHS Compliant Component
11. Outsourced item processed & controlled under XFMRs QA system

DOC. REV: A/2

XFMRs Inc. www.XFMRs.com	Title: SMD INDUCTOR		
	UNLESS OTHERWISE SPECIFIED	P/N: XFTPRH3D28NP-150N	REV. A
TOLERANCES:	DWN.	Yuan	Jun-17-13
.xx ±0.30	CHK.	YK Liao	Jun-17-13
Dimensions in mm	APP.	BW	Jun-17-13
SHEET 1 OF 1			