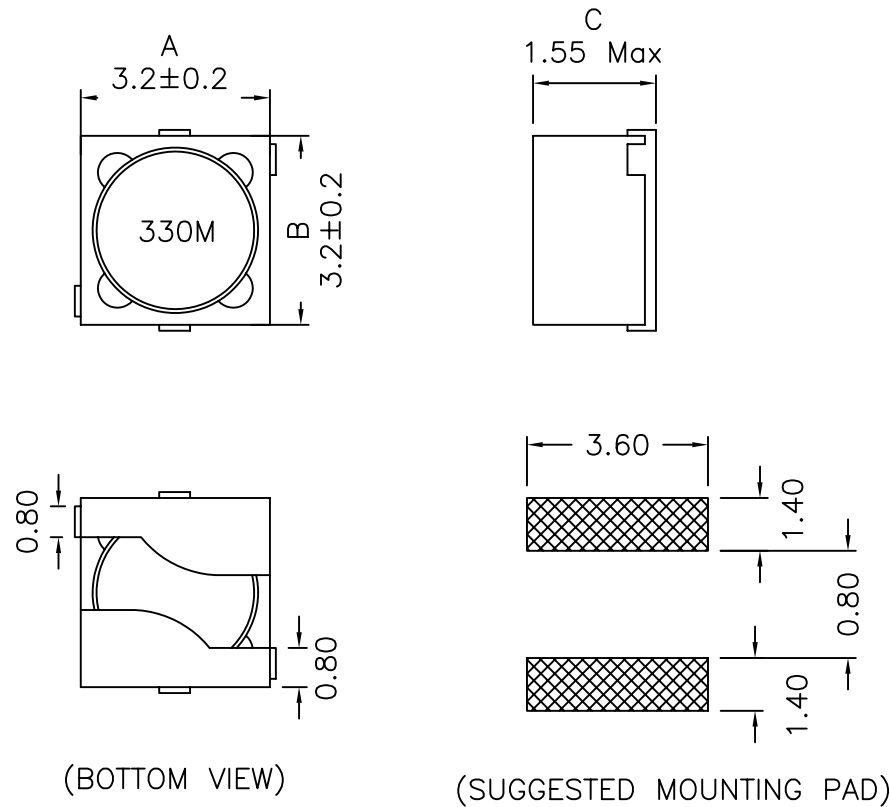
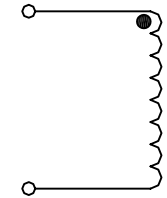


## 1. Mechanical Dimensions:



## 2. Schematic:



## 3. Electrical Specifications: @25°C

OCL: 33uH±20% @1.0KHz 1V

Q: TBD Min @100KHz 1V

DCR: 1.62 Ohms Max

Isat: 0.51Adc (Based on 30% Typ Drop in OCL)

Irms: 0.40A (Based on 40°C Temp Rise)

### Notes:

1. Solderability: Leads shall meet MIL-STD-202G, Method 208H for solderability.
2. Flammability: UL94V-0
3. ASTM oxygen index: > 28%
4. Insulation System: Class F 155°C. UL file E151556
5. Operating Temperature Range: All listed parameters are to be within tolerance from -40°C to +85°C
6. Storage Temperature Range: -55°C to +125°C
7. Aqueous wash compatible
8. SMD Lead Coplanarity: ±0.004"(0.102mm)
9. Electrical and mechanical specifications 100% tested
10. RoHS Compliant Component

DOC REV A/1

<b>XFMRs Inc</b> www.XFMRS.com	Title: XFTPRH3015 SERIES INDUCTORS		
	UNLESS OTHERWISE SPECIFIED TOLERANCES: .xx ±0.25 Dimensions in MM	P/N: XFTPRH3015-330M	REV. A
	DWN.	Xiany	Mar-18-09
	CHK.	YK Liao	Mar-18-09
SHEET 1 OF 1	APP.	BW	Mar-18-09