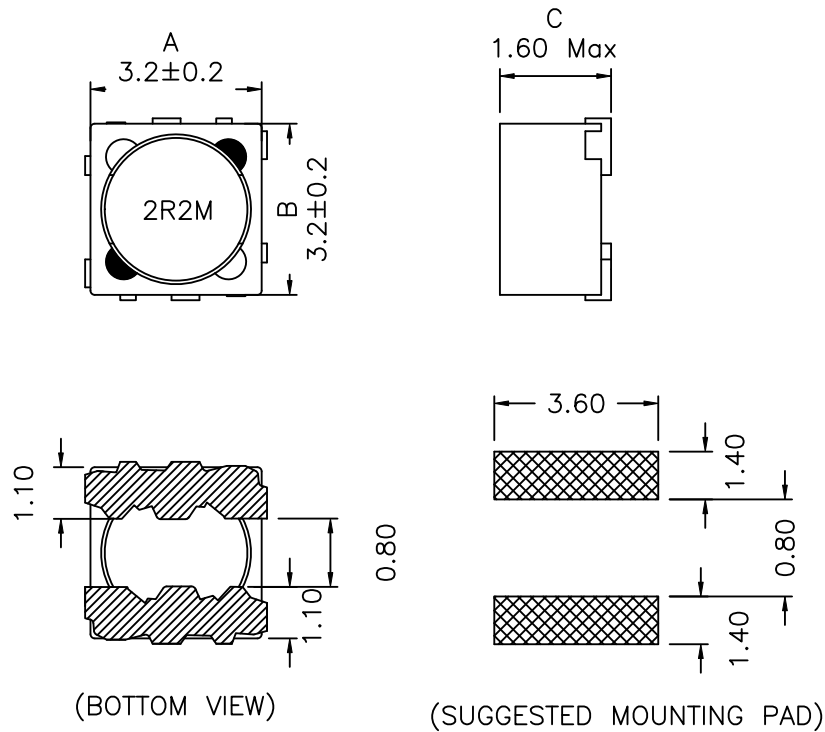
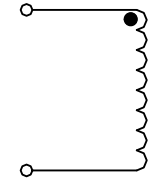


### 1. Mechanical Dimensions:



### 2. Schematic:



### 3. Electrical Specifications: @25°C

OCL: 2.2uH±20% @1.0KHz, 1V

Q: 5 Min @1.0KHz, 1V

DCR: 0.090 Ohms±20%

Isat: 2.10A (Based on 35% Typ Drop in OCL)

Irms: 1.28A (Based on 40°C Typ Temp Rise)

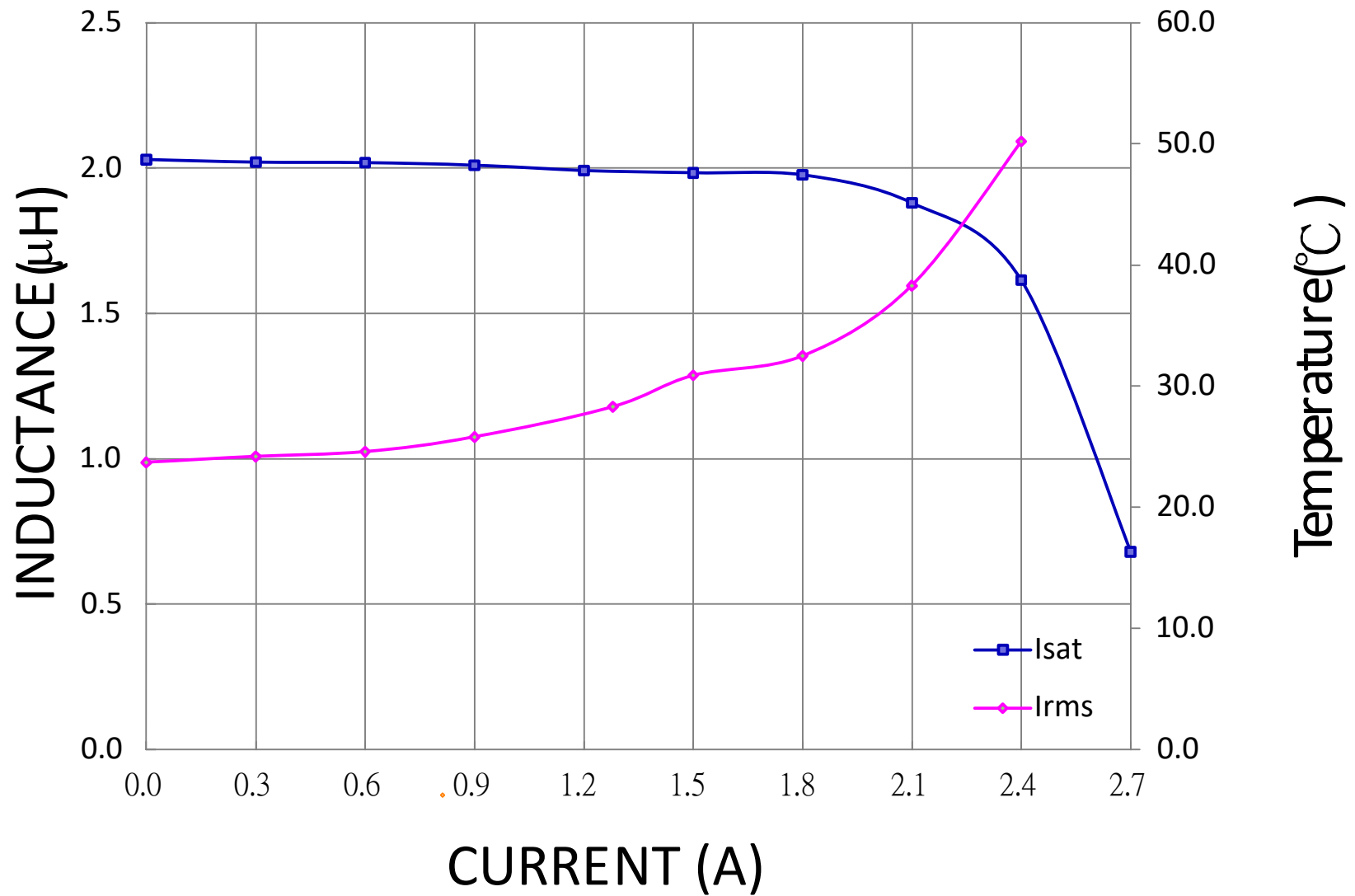
Notes:

1. Solderability: Leads shall meet MIL-STD-202G, Method 208H for solderability.
2. Flammability: UL94V-0
3. ASTM oxygen index: > 28%
4. Insulation System: Class F 155°C. UL file E151556
5. Operating Temperature Range: -40°C to +105°C
6. Storage Temperature Range: -55°C to +125°C
7. Aqueous wash compatible
8. SMD Lead Coplanarity: ±0.004"(0.102mm)
9. Electrical and mechanical specifications 100% tested
10. RoHS Compliant Component
11. AEC-Q200 Certified Product
12. Recommended IR Reflow peak temp of 260°C Max.
13. Outsourced item processed & controlled under XFMRS QA system

DOC REV A/4

**PROPRIETARY** Document is the property of XFMRS Group & is not allowed to be duplicated without authorization.

<b>XFMRS</b> <sup>®</sup> <a href="http://www.XFMRS.com">www.XFMRS.com</a>	Title: <b>XFTPRH3015 SERIES INDUCTORS</b>		
	UNLESS OTHERWISE SPECIFIED TOLERANCES: .xx±0.25 Dimensions in MM	P/N: XFTPRH3015-2R2M	REV. A
SHEET 1 OF 2	DWN.	Yu	Nov-15-19
	CHK.	YK Liao	Nov-15-19
	APP.	Joe Huff	Nov-15-19

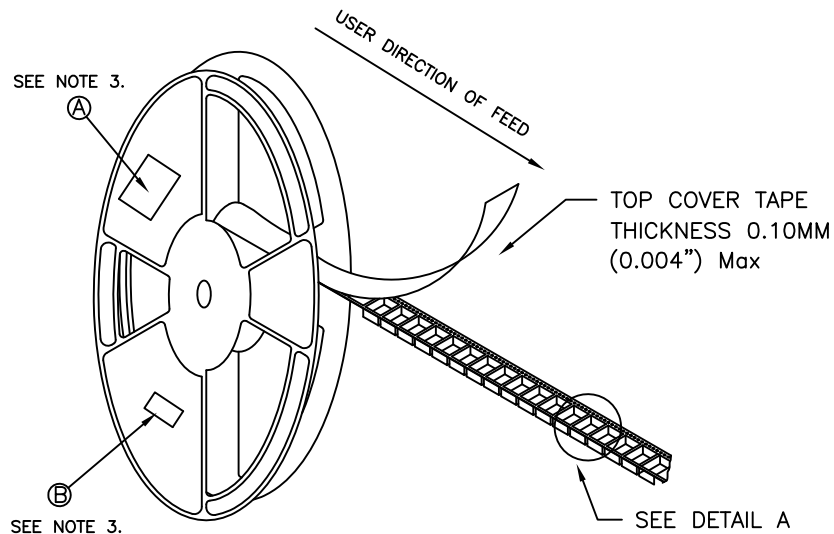


DOC REV A/4

<b>XFMRs</b> <sup>®</sup> <a href="http://www.XFMRs.com">www.XFMRs.com</a>	Title: <b>XFTPRH3015 SERIES INDUCTORS</b>		
	UNLESS OTHERWISE SPECIFIED TOLERANCES: .xx±0.25 Dimensions in MM	P/N: XFTPRH3015-2R2M	REV. A
SHEET 1 OF 2	DWN.	Yu	Nov-15-19
	CHK.	YK Liao	Nov-15-19
	APP.	Joe Huff	Nov-15-19

**PROPRIETARY** Document is the property of XFMRs Group & is not allowed to be duplicated without authorization.

# TAPE AND REEL SPECIFICATION:



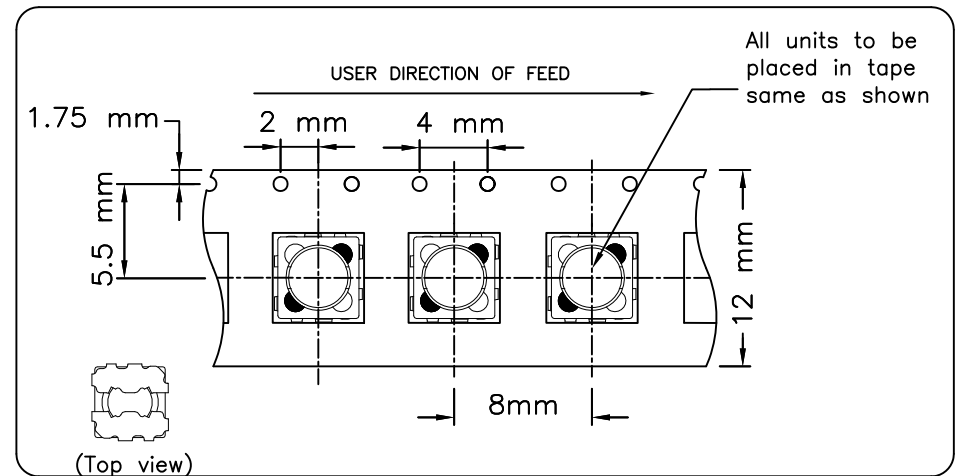
REEL AND TAPE ORIENTATION

**13" REEL DIAMETER**

## NOTES:

- 1) PROCESS IN ACCORDANCE WITH EIA-481-2 STANDARDS
  - \* TAPE LEADER DIMENSION 15.30" MIN.
  - \* TAPE TRAILER DIMENSION 6.30" MIN.
- 2) PARTS SHOULD BE PACKAGED IN ACCORDANCE WITH ESD GUIDELINES IN EIA-541.
- 3) REEL LABEL: 'A' \* CUSTOMER PART NUMBER
  - \* QUANTITY
  - \* DATE CODE
- 4) 1000PCS PER 7" REEL

DETAIL A



<b>XFMRs Inc</b>	Title: T&R SPEC		
	UNLESS OTHERWISE SPECIFIED TOLERANCES: .xxs ±xxxx Dimensions in mm	P/N: XFTPRH3015-xxxx	REV. A
SHT 1 OF 2	DWN.	Kong	Mar-11-16
	CHK.	YK Liao	Mar-11-16
	APP.	BW	Mar-11-16

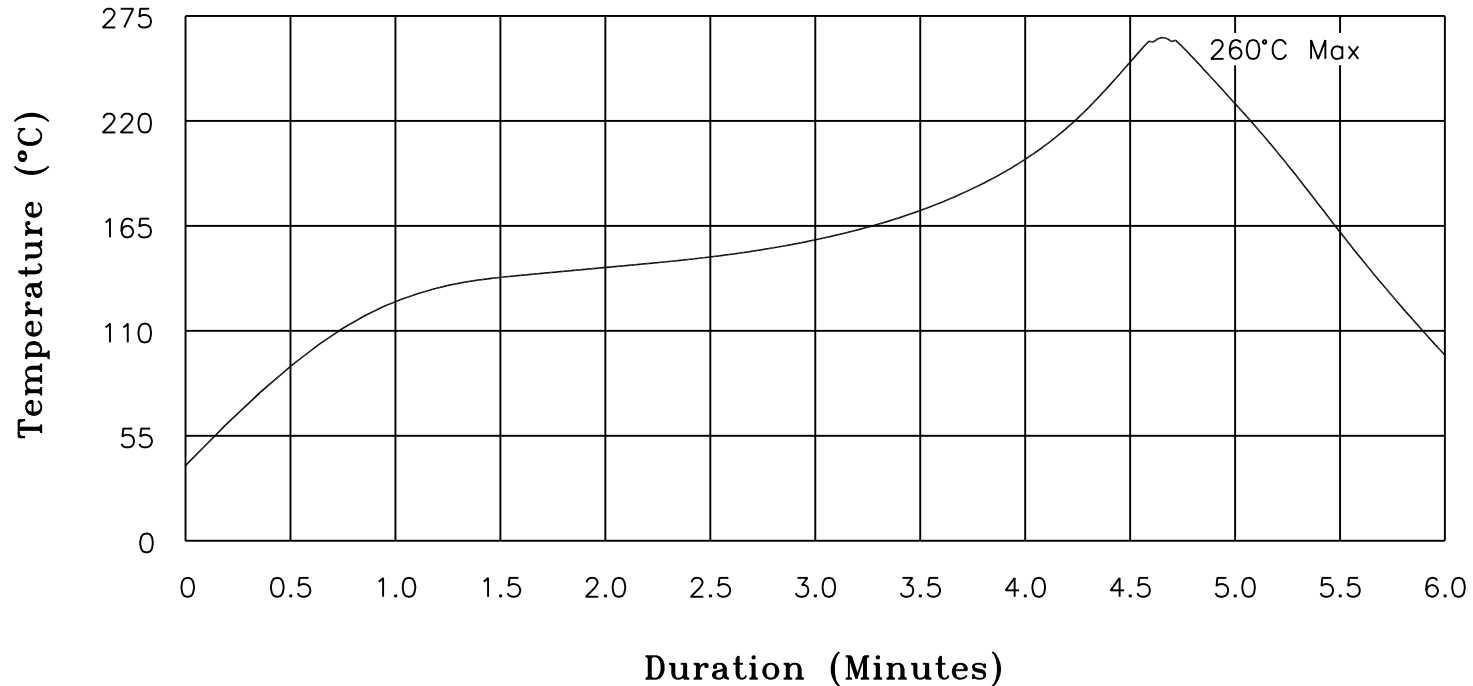
DOC.REV.: A/1

**PROPRIETARY**

Document is the property of XFMRs Group & is not allowed to be duplicated without authorization.

# XFMRs

## Recommended Infrared Reflow Temperature Profile for RoHS Compliant Parts



NOTES: Maximum duration at 260°+0/-5° with 10 seconds Max.  
 Maximum duration above 217° shall be 60-150 seconds.  
 ALL Temperatures refer to topside of the package, measured on the package body surface.

<b>XFMRs Inc</b> www.XFMRs.com	Title: <b>IR REFLOW CHART (RoHS Compliant parts)</b>		
	UNLESS OTHERWISE SPECIFIED TOLERANCES: N/A	P/N: N/A	REV. A
	DWN.	Juan Mao	Jan-16-05
	CHK.	YK Liao	Jan-16-05
SHEET 1 OF 1	APP.	MS	Jan-16-05

**PROPRIETARY** Document is the property of XFMRs Group & is not allowed to be duplicated without authorization.