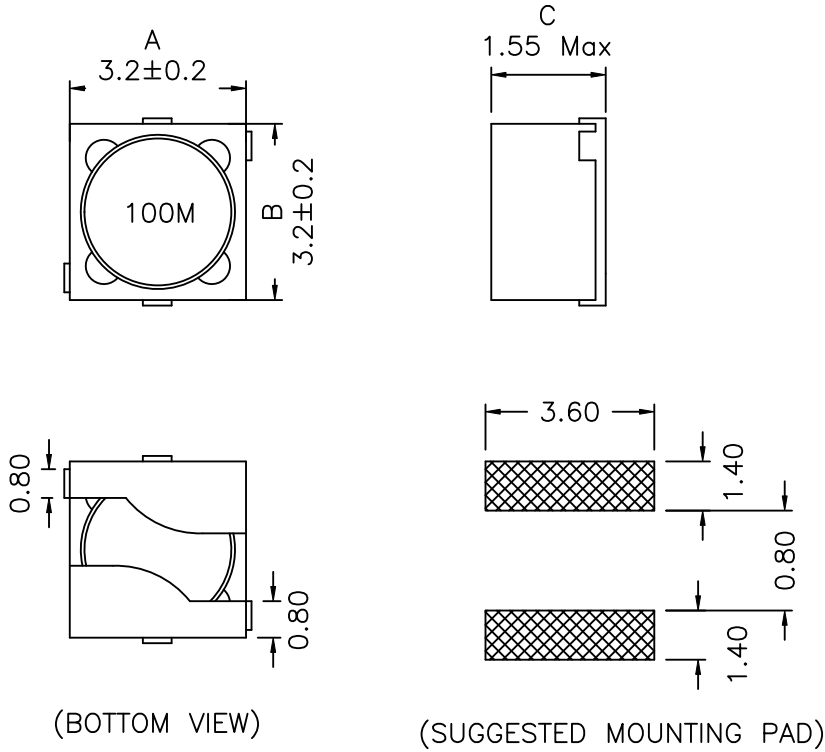
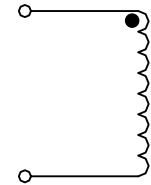


1. Mechanical Dimensions:



2. Schematic:



3. Electrical Specifications: @25°C

OCL: $10\mu\text{H} \pm 20\%$ @1.0KHz 1V

Q: 8 Min @100KHz 1V

DCR: 0.520 Ohms Max

Isat: 0.80Adc (Based on 10% Typ Drop in OCL)

Irms: 0.75A (Based on 40°C Temp Rise)

Notes:

1. Solderability: Leads shall meet MIL-STD-202G, Method 208H for solderability.
2. Flammability: UL94V-0
3. ASTM oxygen index: > 28%
4. Insulation System: Class F 155°C. UL file E151556
5. Operating Temperature Range: All listed parameters are to be within tolerance from -40°C to +85°C
6. Storage Temperature Range: -55°C to +125°C
7. Aqueous wash compatible
8. SMD Lead Coplanarity: $\pm 0.004"$ (0.102mm)
9. Electrical and mechanical specifications 100% tested
10. RoHS Compliant Component

DOC REV A/2

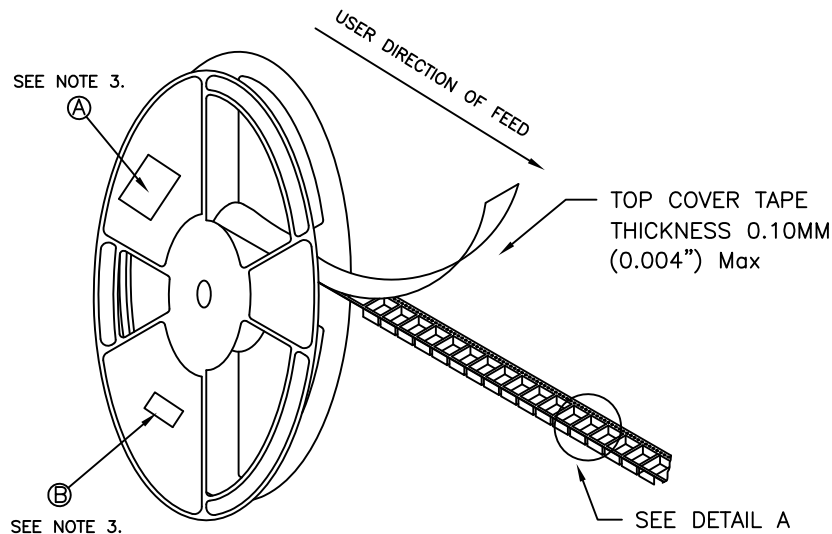
PROPRIETARY Document is the property of XFMRS Group & is not allowed to be duplicated without authorization.

XFMRS® www.XFMRS.com		Title: XFTPRH3015 SERIES INDUCTORS	
UNLESS OTHERWISE SPECIFIED TOLERANCES: .xx ±0.25 Dimensions in MM	P/N: XFTPRH3015-100M	REV. A	
	DWN.	Xiany	Apr-16-20
SHEET 1 OF 1	CHK.	YK Liao	Apr-16-20
	APP.	TCH	Apr-16-20

TAPE AND REEL SPECIFICATION:

NOTES:

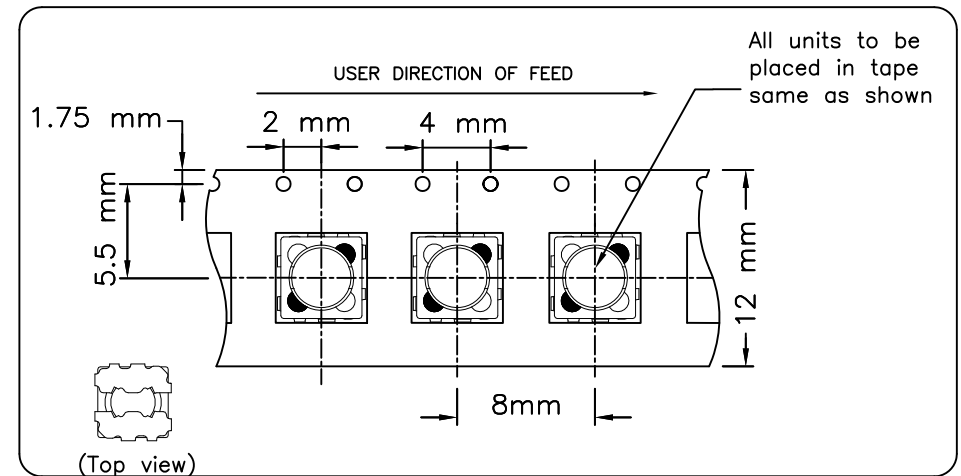
- 1) PROCESS IN ACCORDANCE WITH EIA-481-2 STANDARDS
 - * TAPE LEADER DIMENSION 15.30" MIN.
 - * TAPE TRAILER DIMENSION 6.30" MIN.
- 2) PARTS SHOULD BE PACKAGED IN ACCORDANCE WITH ESD GUIDELINES IN EIA-541.
- 3) REEL LABEL: 'A' * CUSTOMER PART NUMBER
 - * QUANTITY
 - * DATE CODE
- 4) 1000PCS PER 7" REEL



REEL AND TAPE ORIENTATION

13" REEL DIAMETER

DETAIL A



DOC.REV.: A/1

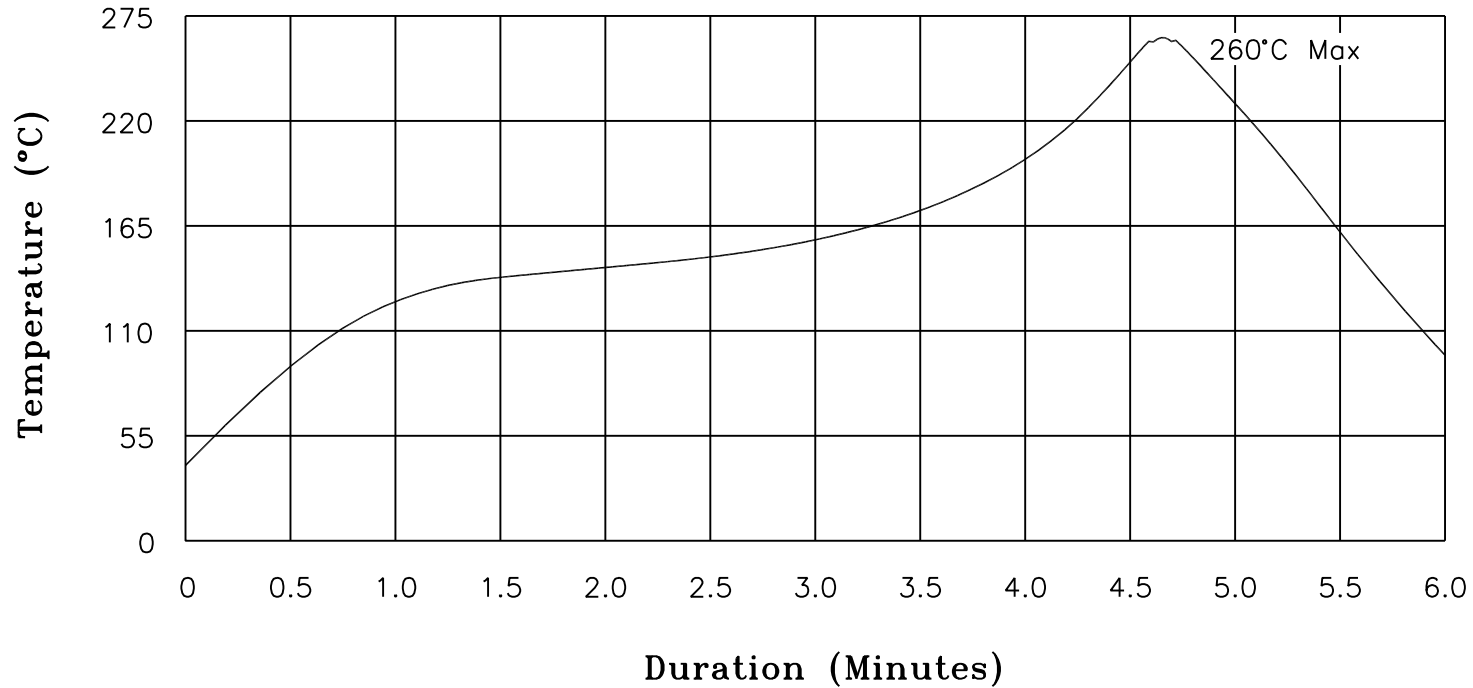
XFMR5 Inc	Title: T&R SPEC		
	UNLESS OTHERWISE SPECIFIED TOLERANCES: .xxs ±xxxx Dimensions in mm	P/N: XFTPRH3015-xxxx	REV. A
SHT 1 OF 2	DWN.	Kong	Mar-11-16
	CHK.	YK Liao	Mar-11-16
	APP.	BW	Mar-11-16

PROPRIETARY

Document is the property of XFMR5 Group & is not allowed to be duplicated without authorization.

XFMRs

Recommended Infrared Reflow Temperature Profile for RoHS Compliant Parts



NOTES: Maximum duration at 260°+0/-5° shall be 10-15 seconds.
 Maximum duration above 217° shall be 60-150 seconds.
 ALL Temperatures refer to topside of the package, measured on the package body surface.

XFMRs Inc www.XFMRs.com	Title: IR REFLOW CHART (RoHS Compliant parts)			
	UNLESS OTHERWISE SPECIFIED TOLERANCES: N/A	P/N: N/A	REV. A	
	DWN.	Juan Mao	Jan-16-05	
	CHK.	YK Liao	Jan-16-05	
SHEET 1 OF 1	APP.	MS	Jan-16-05	

PROPRIETARY Document is the property of XFMRs Group & is not allowed to be duplicated without authorization.