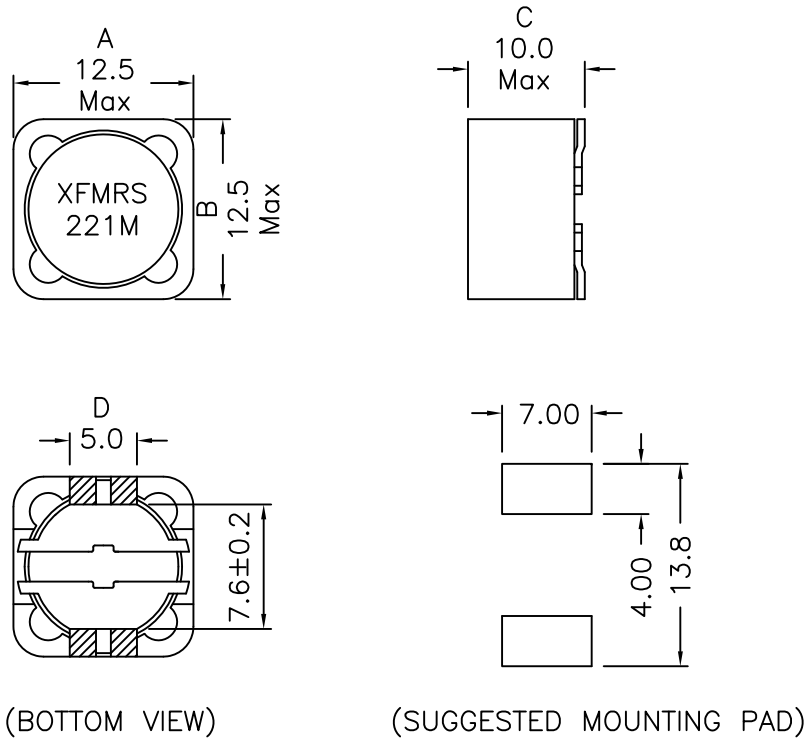
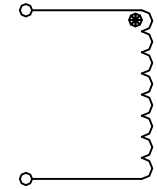


1. Mechanical Dimensions:



2. Schematic:



3. Electrical Specifications: @25°C

OCL: 220uH±20% @1KHz 0.25V

Q: 8 Min @100KHz 0.25V

DCR: 300mOhms Max

Isat: 2.3 ADC Max (20% Typ drop in OCL)

Notes:

1. Solderability: Leads shall meet MIL-STD-202G, Method 208H for solderability.
2. Flammability: UL94V-0
3. ASTM oxygen index: > 28%
4. Insulation System: Class F 155°C. UL file E151556
5. Operating Temperature Range: All listed parameters are to be within tolerance from -40°C to +85°C
6. Storage Temperature Range: -55°C to +125°C
7. Aqueous wash compatible
8. SMD Lead Coplanarity: ±0.004"(0.102mm)
9. Electrical and mechanical specifications 100% tested
10. RoHS Compliant Component
11. 260°C IR Reflow Compatible

DOC REV A/1

XFMRS Inc. www.XFMRS.com		Title: XFTP RH1210 SERIES INDUCTORS		
UNLESS OTHERWISE SPECIFIED TOLERANCES: .xx ±0.25 Dimensions in MM	P/N: XFTP RH1210-221M		REV. A	
	DWN.	Yuan	Mar-06-15	
	CHK.	YK Liao	Mar-06-15	
SHEET 1 OF 2	APP.	BSJ	Mar-06-15	

PROPRIETARY Document is the property of XFMRS Group & is not allowed to be duplicated without authorization.