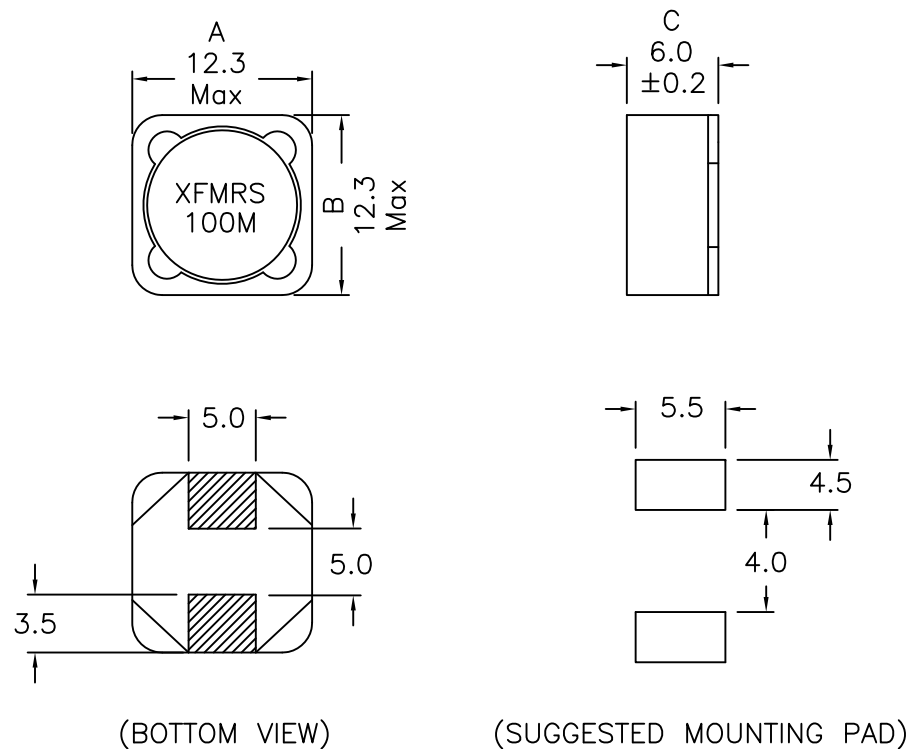


## 1. Mechanical Dimensions:

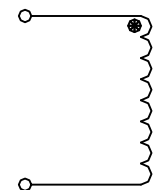


### Notes:

1. Solderability: Leads shall meet MIL-STD-202G, Method 208H for solderability.
2. Flammability: UL94V-0
3. ASTM oxygen index: > 28%
4. Insulation System: Class F 155°C. UL file E151556
5. Operating Temperature Range: All listed parameters are to be within tolerance from -40°C to +85°C
6. Storage Temperature Range: -55°C to +125°C
7. Aqueous wash compatible
8. SMD Lead Coplanarity:  $\pm 0.004''$  (0.102mm)
9. Electrical and mechanical specifications 100% tested
10. RoHS Compliant Component

DOC REV: A/2

## 2. Schematic:



## 3. Electrical Specifications: @25°C

- OCL: 10uH $\pm$ 20% @100KHz 0.1V, 0Adc  
 DCR: 23.9 mOhms Max  
 Isat: 7.40Adc (Based on 30% drop in OCL)  
 Irms: 4.00A (Based on 40°C Temp Rise)  
 SRF: 22MHz Typ

<b>XFMRS Inc.</b> www.XFMRS.com	Title: XFTPRH1205B SERIES INDUCTORS		
	UNLESS OTHERWISE SPECIFIED	P/N: XFTPRH1205B-100M	REV. A
TOLERANCES: TYPICAL	DWN.	Juan Mao	Jul-19-16
Dimensions in MM	CHK.	YK liao	Jul-19-16
SHEET 1 OF 1	APP.	GL	Jul-19-16