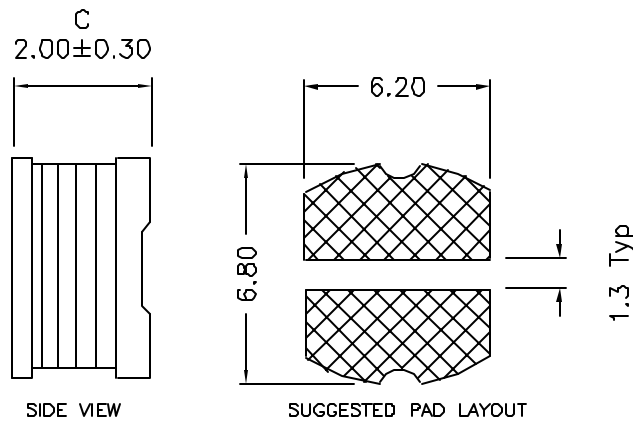
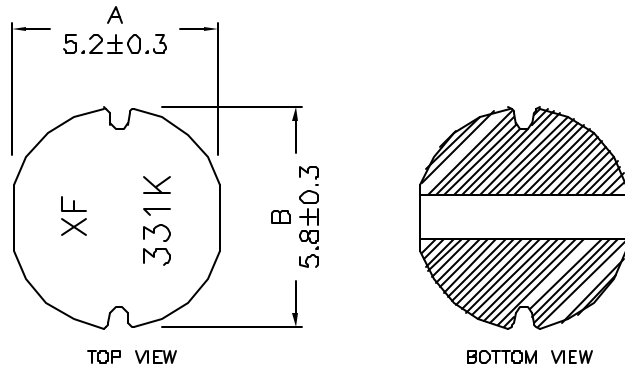


1. Mechanical Dimensions:

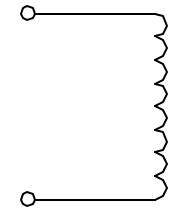


Notes:

1. Solderability: Leads shall meet MIL-STD-202G, Method 208H for solderability.
2. Flammability: UL94V-0
3. ASTM oxygen index: > 28%
4. Insulation System: Class F 155°C. UL file E151556
5. Operating Temperature Range: All listed parameters are to be within tolerance from -40°C to +85°C
6. Storage Temperature Range: -55°C to +125°C
7. Aqueous wash compatible
8. SMD Lead Coplanarity: ±0.004"(0.102mm)
9. Electrical and mechanical specifications 100% tested
10. RoHS Compliant Component

DOC REV: A/3

2. Schematic:



3. Electrical Specifications:

OCL: 330µH±10% @796KHz 0.1V

Q: 25 Min @796KHz 0.1V

DCR: 5.0 Ohms Max

Isat: 0.22Adc (Based on 10% drop in OCL)

Irms: 0.16A (Based on 40° Temp Rise)

SRF: 4MHz Min

XFMRS Inc www.XFMRS.com		Title: XFSDR52 SERIES INDUCTORS	
UNLESS OTHERWISE SPECIFIED TOLERANCES: .xx ±0.30 Dimensions in MM	P/N: XFSDR52-331K		REV. A
	DWN.	Feng	Oct-20-10
SHEET 1 OF 1	CHK.	YK Liao	Oct-20-10
	APP.	Joe Huff	Oct-20-10